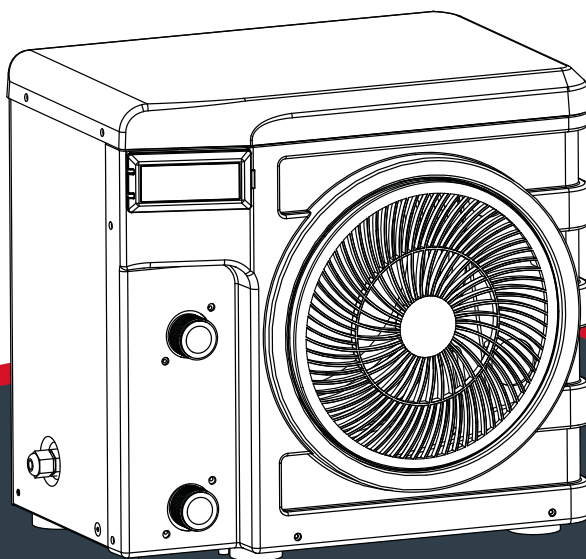


**POOLEX**

**NANO ACTION**



Installation and user manual



Installations und Gebrauchsanleitung



Installaties en gebruikershandleiding

# Warning



***This heat pump contains a flammable refrigerant R32.***

***Any intervention on the refrigerant circuit is prohibited without a valid authorization.***

***Before working on the refrigerant circuit, the following precautions are necessary for safe work.***

***1. Work procedure***

*The work must be carried out according to a controlled procedure, in order to minimize the risk of presence of flammable gases or vapors during the execution of the*

*works.*

***2. General work area***

*All persons in the area must be informed of the nature of the work in progress. Avoid working in a confined area. The area around the work area should be divided, secured and special attention should be paid to nearby sources of flame or heat.*

***3. Verification of the presence of refrigerant***

*The area should be checked with a suitable refrigerant detector before and during work to ensure that there is no potentially flammable gas. Make sure that the leak detection equipment used is suitable for flammable refrigerants, ie it does not produce sparks, is properly sealed or has internal safety.*

***4. Presence of fire extinguisher***

*If hot work is to be performed on the refrigeration equipment or any associated part, appropriate fire extinguishing equipment must be available. Install a dry powder or CO2 fire extinguisher near the work area.*

***5. No source of flame, heat or spark***

*It is totally forbidden to use a source of heat, flame or spark in the direct vicinity of one or more parts or pipes containing or having contained a flammable refrigerant. All sources of ignition, including smoking, must be sufficiently far from the place of installation, repair, removal and disposal, during which time a flammable refrigerant may be released into the surrounding area. Before starting work, the environment of the equipment should be checked to ensure that there is no risk of flammability. «No smoking» signs must be posted.*

***6. Ventilated area***

*Make sure the area is in the open air or is properly ventilated before working on the system or performing hot work. Some ventilation must be maintained during the duration of the work.*

***7. Controls of refrigeration equipment***

*When electrical components are replaced, they must be suitable for the intended purpose and the appropriate specifications. Only the parts of the manufacturer can be used. If in doubt, consult the technical service of the manufacturer.*

*The following controls should be applied to installations using flammable refrigerants:*

- The size of the load is in accordance with the size of the room in which the rooms containing the refrigerant are installed;*
- Ventilation and air vents work properly and are not obstructed;*
- If an indirect refrigeration circuit is used, the secondary circuit must also be checked.*
- The marking on the equipment remains visible and legible. Illegible marks and signs must be corrected;*
- Refrigeration pipes or components are installed in a position where they are unlikely to be exposed to a substance that could corrode components containing refrigerant*

***8. Verification of electrical appliances***

*Repair and maintenance of electrical components must include initial safety checks and component inspection procedures. If there is a defect that could compromise safety, no power supply should be connected to the circuit until the problem is resolved.*

*Initial security checks must include:*

- That the capacitors are discharged: this must be done in a safe way to avoid the possibility of sparks;*
- No electrical components or wiring are exposed during loading, recovery or purging of the refrigerant gas system;*
- There is continuity of grounding.*

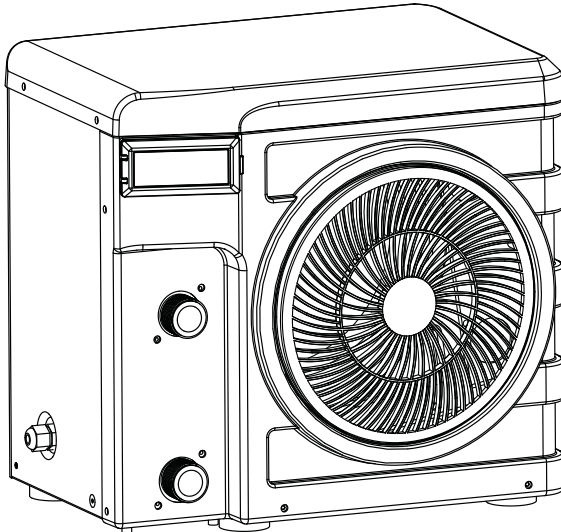
# Thank you

*Dear Customer,*

*Thank you for your purchase and for your confidence in our products.*

*These are the result of many years of research in the field of design and production of heat pumps for swimming pools. Our aim is to provide you with an exceptional high performance quality product.*

*We have produced this manual with the utmost care so that you get maximum benefit from your Poolex heat pump.*





# PLEASE READ CAREFULLY

**These installation instructions are an integral part of the product.  
They must be given to the installer and retained by the user.**

**If the manual is lost, please consult the website:**

**[www.poolex.fr](http://www.poolex.fr)**

The instructions and recommendations contained in this manual should be read carefully and understood since they provide valuable information concerning the heat pump's safe handling and operation. **Keep this manual in an accessible place for easy future reference.**

**Installation must be carried out by a qualified professional person** in accordance with current regulations and the manufacturer's instructions. An installation error may cause physical injury to persons or animals as well as mechanical damage for which the manufacturer can under no circumstances be held responsible.

**After unpacking the heat pump, please check the contents in order to report any damage.**

Prior to connecting the heat pump, ensure that the information provided in this manual is compatible with the actual installation conditions and does not exceed the maximum limits authorized for this particular product.

**In the event of a defect and/or malfunction of the heat pump, the electricity supply must be disconnected** and no attempt made to repair the fault.

Repairs must be undertaken only by an authorized technical service organization using original replacement parts. Failure to comply with the above-mentioned clauses may have an adverse effect on the heat pump's safe operation.

To guarantee the heat pump's efficiency and satisfactory operation, it is important to ensure its regular maintenance in accordance with the instructions provided.

If the heat pump is sold or transferred, always make sure that all technical documentation is transmitted with the equipment to the new owner.

This heat pump is designed solely for heating a swimming pool. Any other use must be considered as being inappropriate, incorrect or even hazardous.

Any contractual or non-contractual liability of the manufacturer/distributor shall be deemed null and void for damage caused by installation or operational errors, or due to non-compliance with the instructions provided in this manual or with current installation norms applicable to the equipment covered by this document.

# Contents

<b>1. General</b> .....	<b>4</b>
1.1 General Terms of Delivery .....	4
1.2 Safety instructions .....	4
1.3 Water treatment .....	5
<b>2. Description</b> .....	<b>6</b>
2.1 Package contents .....	6
2.2 General characteristics .....	6
2.3 Technical specifications .....	7
2.4 Unit dimensions .....	8
2.5 Exploded view .....	9
<b>3. Installation</b> .....	<b>10</b>
3.1 Location .....	10
3.2 Installation layout .....	11
3.3 Hydraulic connection .....	11
3.4 Electrical connection .....	11
<b>4. Use</b> .....	<b>12</b>
4.1 Control panel .....	12
4.2 Heating mode .....	13
4.3 Status values and advanced settings .....	14
<b>5. Operation</b> .....	<b>16</b>
5.1 Operation .....	16
<b>6. Maintenance and servicing</b> .....	<b>17</b>
6.1 Maintenance, servicing and winter storage .....	17
<b>7. Repairs</b> .....	<b>18</b>
7.1 Breakdowns and faults .....	18
<b>8. Recycling</b> .....	<b>19</b>
8.1 Recycling the heat pump .....	19
<b>9. Warranty</b> .....	<b>20</b>
9.1 General warranty conditions .....	20
<b>A. Appendices</b> .....	<b>A</b>
A.1 Wiring diagrams .....	A

# 1. General

## 1.1 General Terms of Delivery

All equipment, even if shipped 'free of carriage and packing', is dispatched at the consignee's own risk.

The person responsible for receiving the equipment must carry out a visual inspection to identify any damage to the heat pump during transport (refrigerant system, body panels, electrical control box, frame). He/she must note down on the carrier's delivery note any remarks concerning damage caused during transport and confirm them to the carrier by registered letter within 48 hours.



The equipment must always be stored and transported vertically on a pallet and in its original packaging. If it is stored or transported horizontally, wait at least 24 hours before switching it on.

## 1.2 Safety instructions



**WARNING : Please read carefully the safety instructions before using the equipment. The following instructions are essential for safety so please strictly comply with them.**

### *During installation and servicing*

Only a qualified person may undertake installation, start-up, servicing and repairs, in compliance with current standards.

Before operating or undertaking any work on the equipment (installation, commissioning, usage, servicing), the person responsible must be aware of all the instructions in the heat pump's installation manual as well as the technical specifications.

Under no circumstances install the equipment close to a source of heat, combustible materials or a building's air intake.

If installation is not in a location with restricted access, a heat pump protective grille must be fitted.

To avoid severe burns, do not walk on pipework during installation, repairs or maintenance.

To avoid severe burns, prior to any work on the refrigerant system, turn off the heat pump and wait several minutes before placing temperature and pressure sensors.

Check the refrigerant level when servicing the heat pump.

Check that the high and low pressure switches are correctly connected to the refrigerant system and that they turn off the electrical circuit if tripped during the equipment's annual leakage inspection.

Check that there is no trace of corrosion or oil stains around the refrigerant components.

# 1. General

## *During use*

To avoid serious injuries, never touch the fan when it is operating.

Keep the heat pump out of the reach of children to avoid serious injuries caused by the heat exchanger's blades.

Never start the equipment if there is no water in the pool or if the circulating pump is stopped.

Check the water flow rate every month and clean the filter if necessary.

## *During cleaning*

Switch off the equipment's electricity supply.

Close the water inlet and outlet valves.

Do not insert anything into the air or water intakes or outlets.

Do not rinse the equipment with water.

## *During repairs*

Carry out work on the refrigerant system in accordance with current safety regulations.

Brazing should be performed by a qualified welder.

When replacing a defective refrigerant component, use only parts certified by our technical department.

When replacing pipework, only copper pipes conforming to Standard NF EN12735-1 may be used for repairs.

When pressure-testing to detect leaks:

To avoid the risks of fire or explosion, never use oxygen or dry air.

Use dehydrated nitrogen or a mixture of nitrogen and refrigerant.

The low and high side test pressure must not exceed 42 bar.

## 1.3 Water treatment

Poolex heat pumps for swimming pools can be used with all types of water treatment systems. Nevertheless, it is essential that the treatment system (chlorine, pH, bromine and/or salt chlorinator metering pumps) is installed after the heat pump in the hydraulic circuit.

**To avoid any deterioration to the heat pump, the water's pH must be maintained between 6.9 and 8.0.**

# 2. Description

## 2.1 Package contents

- ✓ Heat pump Poolex Nano Action R32
- ✓ 2 hydraulic inlet/outlet connectors 32/38mm diameter
- ✓ This installation and user manual
- ✓ **4 anti-vibration pads**

## 2.2 General characteristics

A Poolex heat pump has the following features:

- ▶ CE certification and complies with the RoHS European directive.
- ▶ High performance with up to 80% energy savings compared to a conventional heating system.
- ▶ Clean, efficient and environmentally friendly R32 refrigerant.
- ▶ Reliable high output leading brand compressor.
- ▶ Wide hydrophilic aluminum evaporator for use at low temperatures.
- ▶ User-friendly intuitive control panel.
- ▶ Heavy duty shell, anti-UV treated and easy to maintain.
- ▶ Designed to be silent.



# 2. Description

## 2.3 Technical specifications

		3 kW	4 kW	5 kW
Air <sup>(1)</sup> 26°C Water <sup>(2)</sup> 26°C	Heating power (W)	2800	4 200	5 010
	Consumption (W)	580	810	990
	<b>COP (Coeff. of performance)</b>	<b>4,83</b>	<b>5,19</b>	<b>5,03</b>
Air <sup>(1)</sup> 15°C Water <sup>(2)</sup> 26°C	Heating power (W)	2210	3 100	4 030
	Consumption (W)	540	760	1 000
	<b>COP (Coeff. of performance)</b>	<b>4,09</b>	<b>4,08</b>	<b>4,03</b>
Electricity supply		220-240V ~ 50Hz		
Maximum power (W)		930	1 200	1 500
Maximum current (A)		4,15	5,32	6,65
Heating temperature range		15°C ~ 40°C		
Operating range		8°C ~ 43°C		
Unit dimensions L × W × H (mm)		385 x 400 x 280		
Unit weight (kg)		18	24	26
Packaging dimensions L × W × H (mm)		415 x 460 x 370		
Packaging weight (kg)		20	28	30
Sound pressure level at 10 m (dBA) <sup>(3)</sup>		<32	<35	<36
Hydraulic connection (mm)		PVC 32 / 38mm		
Heat exchanger		PVC tank and titanium heating coil		
Min. water flow rate (m <sup>3</sup> /h)		1,3	2	2,5
Compressor type		Rotary		
Refrigerant		R32		
Refrigerant content (kg)		0,15	0,3	0,35
GWP		675		
Equivalent CO2		0,10	0,203	0,337
Waterproof IP		IPX4		
Load loss (mCE)		0,8		
Max. pool volume (m <sup>3</sup> ) <sup>(4)</sup>		≤21	≤28	≤35
Control panel		Backlit control screen		
Mode		Heating		

The technical specifications of our heat pumps are provided for information purposes only. We reserve the right to make changes without prior notice.

<sup>1</sup> Ambient air temperature

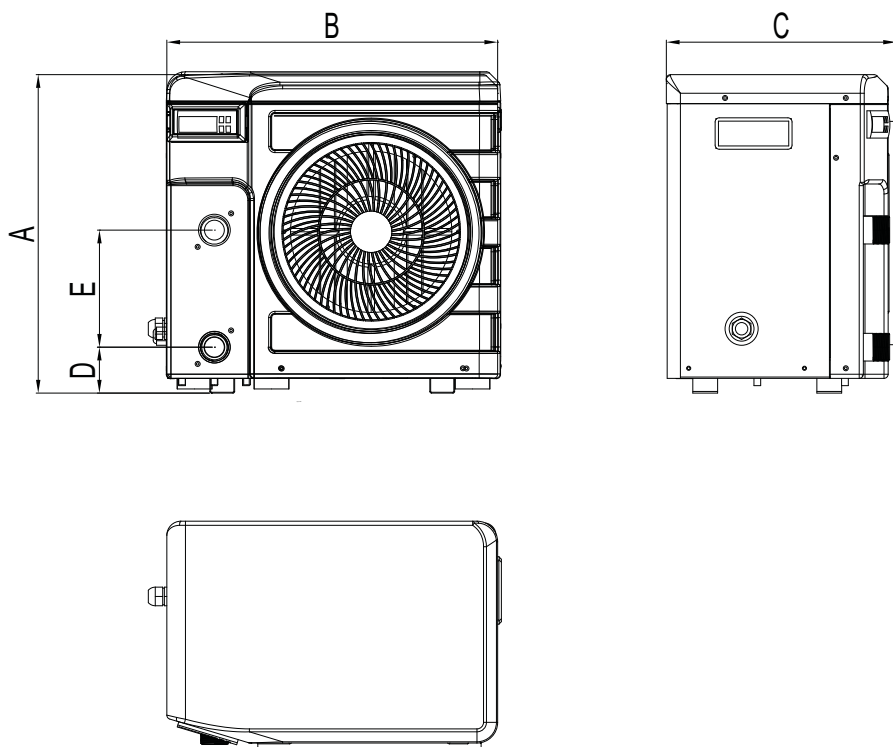
<sup>2</sup> Initial water temperature

<sup>3</sup> Noise at 10 m in accordance with Directives EN ISO 3741 and EN ISO 354

<sup>4</sup> Calculated for an in-ground private swimming pool covered with a bubble cover.

## 2. Description

### 2.4 Unit dimensions



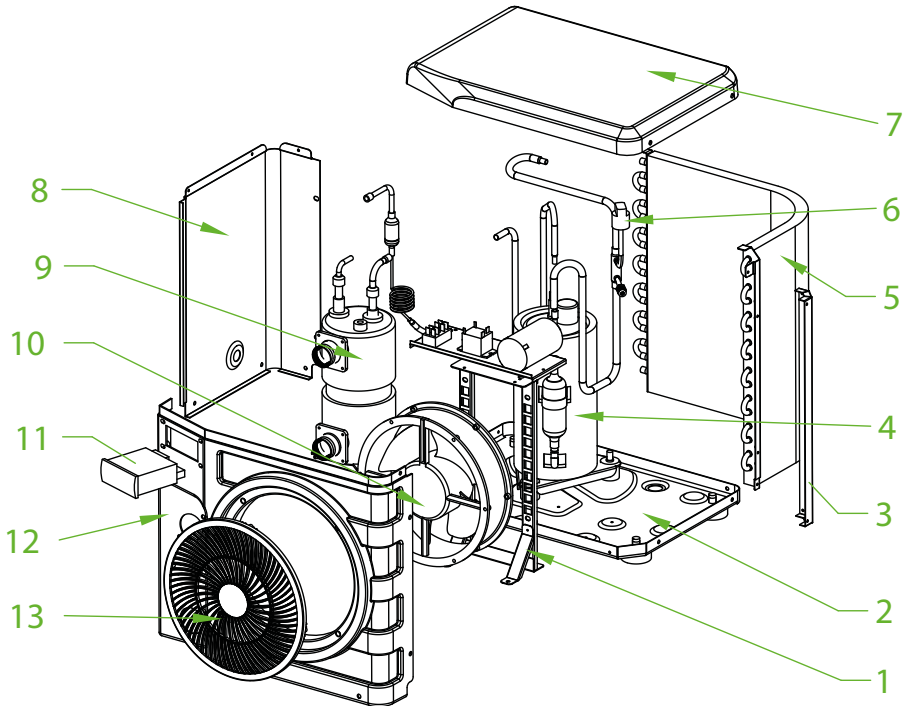
Dimensions in mm

Nano Action 3 kW / 4 kW / 5 kW	
A	385
B	400
C	280
D	55
E	140

## 2. Description

### 2.5 Exploded view

EN



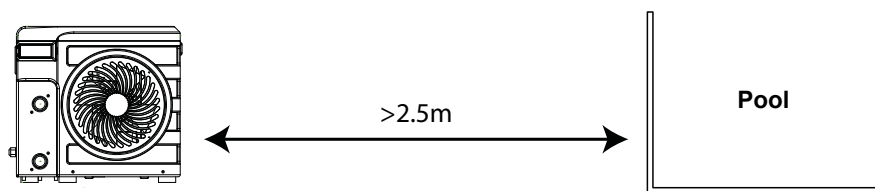
- |                          |                           |
|--------------------------|---------------------------|
| 1. Fan support           | 9. Heat exchanger         |
| 2. Base frame            | 10. Fan motor             |
| 3. Support               | 11. Control panel         |
| 4. Compressor            | 12. Front panel           |
| 5. Evaporator            | 13. Fan protective grille |
| 6. pressure switch hp/bp |                           |
| 7. Top panel             |                           |
| 8. Left side panel       |                           |

# 3. Installation

**The heat pump is very easy to install, only water and power need to be connected during installation.**

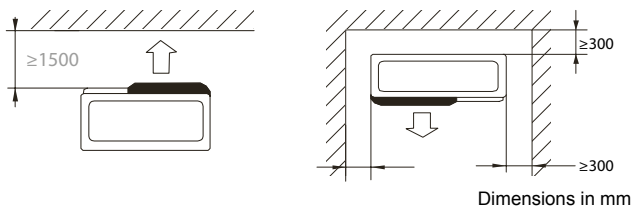
## 3.1 Location

The heat pump should be located at least 2.5 meter away from the swimming pool.



**Please comply with the following rules concerning the choice of heat pump location.**

1. The unit's future location must be easily accessible for convenient operation and maintenance.
2. It must be installed on the ground, laid ideally on a level concrete floor. Ensure that the floor is sufficiently stable and can support the weight of the unit.
3. Check that the unit is properly ventilated, that the air outlet is not facing the windows of neighboring buildings and that the exhaust air cannot return. In addition, provide sufficient space around the unit for servicing and maintenance operations.
4. The unit must not be installed in an area exposed to oil, flammable gases, corrosive products, sulfurous compounds or close to high frequency equipment.
5. To prevent mud splashes, do not install the unit near a road or track.
6. To avoid causing nuisance to neighbors, make sure the unit is installed so that it is positioned towards the area that is least sensitive to noise.
7. Keep the unit as much as possible out of the reach of children.



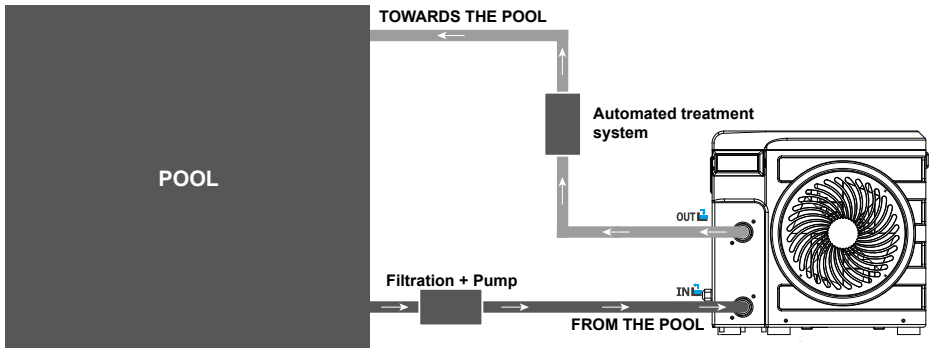
Place nothing less than 1,50 m in front of the heat pump.

Leave 30 cm of empty space around the sides and rear of the heat pump.

**Do not leave any obstacle above or in front of the unit!**

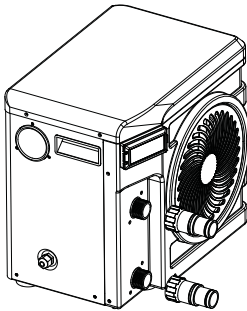
# 3. Installation

## 3.2 Installation layout

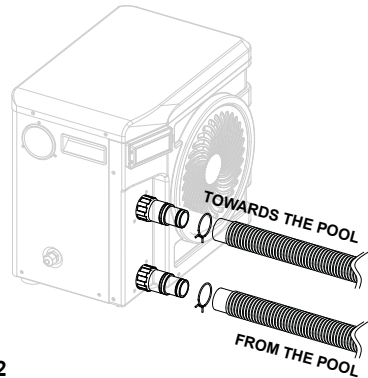


The filter located upstream of the heat pump must be regularly cleared so that the water in the system is clean, thus avoiding the operational problems associated with dirt or clogging in the filter.

## 3.3 Hydraulic connection



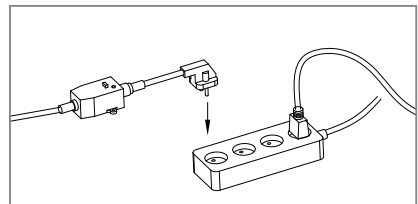
**Step 1**  
Screw the connectors to the heat pump



**Step 2**  
Connect the water outlet pipe and the water intake pipe

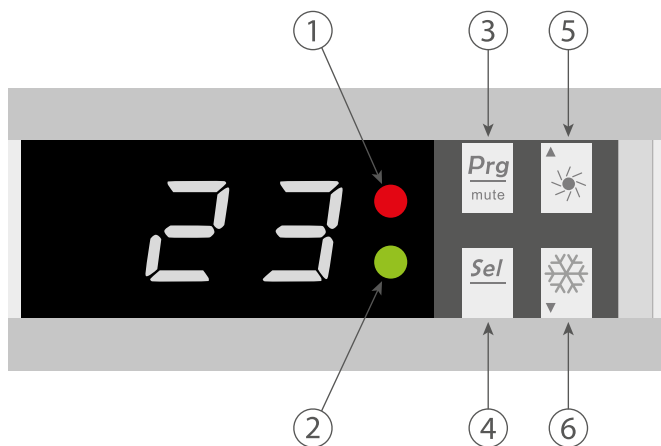
## 3.4 Electrical connection

The heat pump electrical plug integrates a 10mA differential circuit breaker. Before connecting your heat pump, please ensure that the plug is connected to the ground. The filter pump should function at the same time as the heat pump. Therefore, you need to connect them to the same electrical circuit.



# 4. Use

## 4.1 Control panel



- 1. Power LED
- 2. Defrost LED


- 3. ON/OFF button
- 4. Select button

- 5. Up (+) button
- 6. Down (-) button

# 4. Use

## 4.2 Heating Mode

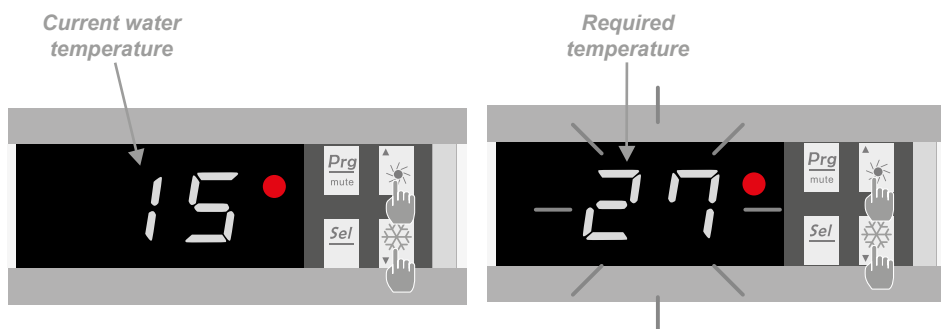
**WARNING:** Before starting, ensure that the filtration pump is operating correctly.

**Step 1 :** Press  to switch on your pump.

**Step 2 :** Using buttons  and  select the required temperature.

EXAMPLE:

If the current temperature is 15°C, default setting temperature is 27° required temperature is 30°C.



### Useful information about how the heating mode operates

When the incoming water temperature is less than or equal to the required temperature (setpoint temperature) -X°C, the heat pump will switch to heating mode. The compressor will stop when the temperature of the incoming water is greater than or equal to the required temperature (setpoint temperature).

*Indicators for adjustment range X and Y*

X : adjustable parameter from 1° to 15°C, default setting is 3°C. (Parameter N°6)

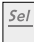
# 4. Use

## 4.3 Status values and advanced settings




**WARNING:** This operation is used to assist servicing and future repairs.  
The default settings should only be modified by an experienced professional person.

The system's settings can be checked and adjusted via the remote control by following these steps


**Step 1 :** Keep pressing  until you enter the settings verification mode.


**Step 2 :** Press  and  for see the parameters.

**Step 3 :** Press  to select the setting to be modified.

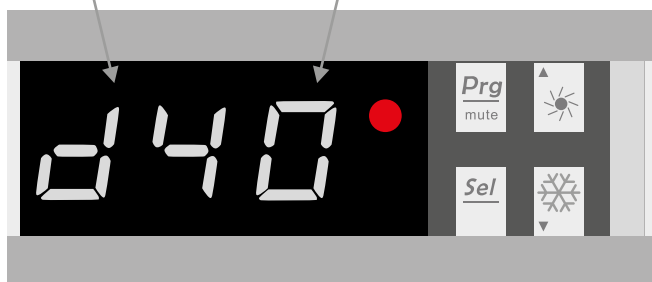
*Note, some settings cannot be modified. Consult the settings table for further information.*

**Step 4 :** Press  and  to adjust the setting value.

**Step 5 :** Press  to set the new value.

**Step 6 :** Press  to return to the main screen.

Parameter d                      Value 40





# 4. Use

Parameters table

N°	Description	Adjustment range	Factory setting	Remarks
A	Water intake temperature	-19~99°C		Actual data
b	Water outlet temperature	-19~99°C		Actual data
c	Ambient air temperature	-19~99°C		Actual data
d	Setting temperature	15~40°C	27°C	Adjustable
E	Defrost auto-activation time	10~80 min	40 min	Adjustable
F	Maximum defrost duration	10~40 min	30 min	Adjustable
H	Adjustment of temperature difference for restart	1~10°C	3°C	Adjustable
J	Automatic restart	0 = OFF 1 = ON	1	Adjustable
O	Antifreeze protection - low air temperature	0~15°C	8°C	Ajustable
P	Evaporator temperature to enter defrosting mode	-19°C~0°C	-3°C	Ajustable
U	Evaporator temperature to exit defrosting mode	1~30°C	20°C	Ajustable
t	Reserved - do not modify			Reserved

# 5. Operation

## 5.1 Operation

### *Conditions of use*


**For the heat pump to operate normally, the ambient air temperature must be between 8°C and 43°C.**

### *Recommendations prior to start-up*

Before activating the heat pump, please:

- ✓ Check that the unit is stable.
- ✓ Control the proper functioning of your electrical installation.
- ✓ Check that the hydraulic connections are tight and that there is no leakage of water.
- ✓ Remove any unnecessary object or tool from around the unit.

### *Operation*

1. Connect the unit power plug.
2. Activate the circulating pump.
3. Activate the unit's power supply protection (differential switch and circuit-breaker).
4. Activate the heat pump by pressing once on .
5. Select the required temperature.
6. The heat pump's compressor will start up after a few moments.

All you have to do now is wait until the required temperature is reached.



**WARNING:** Under normal conditions, a suitable heat pump can heat the water in a swimming pool by 1°C to 2°C per day. It is therefore quite normal to not feel any temperature difference in the system when the heat pump is working. A heated pool must be covered to avoid any loss of heat.

# 6. Maintenance and servicing

## 6.1 Maintenance, servicing and winter storage



**WARNING: Before undertaking maintenance work on the unit, ensure that you have disconnected the electrical power supply.**

### Cleaning

The heat pump's casing must be cleaned with a damp cloth. The use of detergents or other household products could damage the surface of the casing and affect its properties.

The evaporator at the rear of the heat pump must be carefully cleaned with a vacuum cleaner and soft brush attachment.

### Annual maintenance

The following operations must be undertaken by a qualified person at least once a year.

- ✓ Carry out safety checks.
- ✓ Check the integrity of the electrical wiring.
- ✓ Check the earthing connections.
- ✓ Monitor the state of the pressure gauge and the presence of refrigerant.

### Winter storage

Your heat pump is designed to operate in rainy weather conditions and withstand frost using a specially created anti-frost technology. However it is not recommended to leave it outside for long periods of time (eg over winter). After draining down the pool for the winter, store the heat pump in a dry place.

# 7. Repairs



**WARNING:** Under normal conditions, a suitable heat pump can heat the water in a swimming pool by 1°C to 2°C per day. It is therefore quite normal to not feel any temperature difference in the system when the heat pump is working.  
A heated pool must be covered to avoid any loss of heat.

## 7.1 Breakdowns and faults

In the event of a problem, the heat pump's screen displays an error code instead of temperature indications. Please consult the table below to find the possible causes of a fault and the actions to be taken.

Code	Fault	Possible causes	Action
P1	Water intake temperature sensor malfunction	Sensor badly connected	Reconnect sensor
		Sensor defective	Replace sensor
		Defective control panel	Replace control panel
P3	Evaporator temperature sensor malfunction	Same causes as P1	Same actions as P1
P5	External temperature sensor malfunction		
P7	Antifreeze protection	Protection activated when the ambient temperature is too low.	No intervention is necessary
E5	Low pressure protection	Insufficient refrigerant	Readjust the quantity of refrigerant
		Pressure switch disconnected or defective	Reconnect or replace pressure switch
		Defective control panel	Replace control panel
	The unit stop working without error code	Insufficient water in heat exchanger	Check your water circuit operation
		Defective control panel	Replace control panel

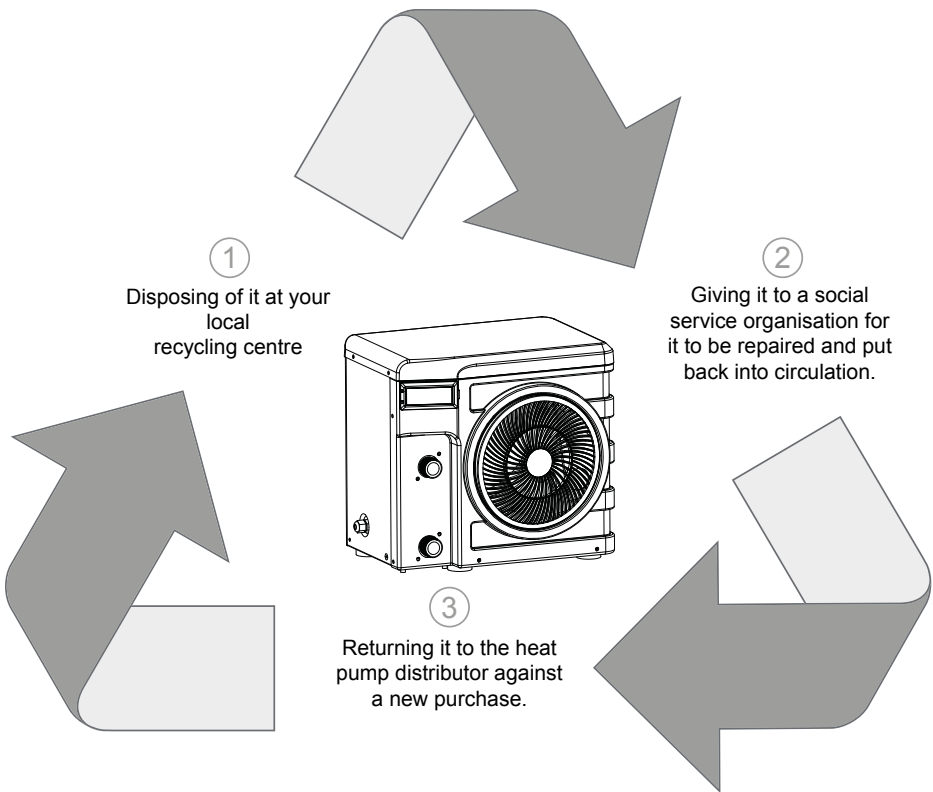
# 8. Recycling

## 8.1 Recycling the heat pump

Your heat pump has reached the end of its life and you wish to dispose of it or to replace it. Do not throw it in the rubbish bin.

A heat pump must be disposed of separately with a view to its reuse, recycling or upgrading. It contains substances that are potentially hazardous to the environment but which will be eliminated or neutralized by recycling.

**YOU HAVE THREE SOLUTIONS:**



# 9. Warranty

## 9.1 General warranty conditions

The Poolstar Company guarantees the original owner against defective materials and faults in the manufacture of the Poolex Nano heat pump for a period of two (2) years.

The compressor is guaranteed for a period of five (5) years.

The titanium tube heat exchanger has a period of fifteen (15) years guarantee against chemical corrosion, except for frost damage.

The condenser's other components are guaranteed for two (2) years.

The warranty becomes effective on the date of the first invoice.

The warranty does not apply in the following cases:

- Malfunction or damage arising from an installation, usage or repair that is not in compliance with the safety instructions.
- Malfunction or damage arising from a chemical agent that is unsuitable for the pool.
- Malfunction or damage arising from conditions that are unsuitable for the equipment's purposes of use.
- Damage arising from negligence, accident or force majeure.
- Malfunction or damage arising from the use of unauthorized accessories.

Repairs undertaken during the warranty period must be approved prior to being carried out by an authorized technician. The warranty shall be null and void if the repair to the equipment is carried out by a person who is not authorized by the Poolstar company.

The guaranteed parts shall be replaced or repaired at Poolstar's discretion. Defective parts must be returned to our workshops to be covered during the warranty period. The warranty does not cover labor costs or unauthorized replacements. The return of the defective part is not covered by the warranty.

Dear Sir/Madam,

**A question ? A problem ? Or simply register your guarantee, find us on our website:**

**<http://support.poolex.fr/>**

We thank you for your trust in our products.

Enjoy your swimming!

Your details may be treated in accordance with the Data Protection Act of 6 January 1978 and will not be divulged to any third party.

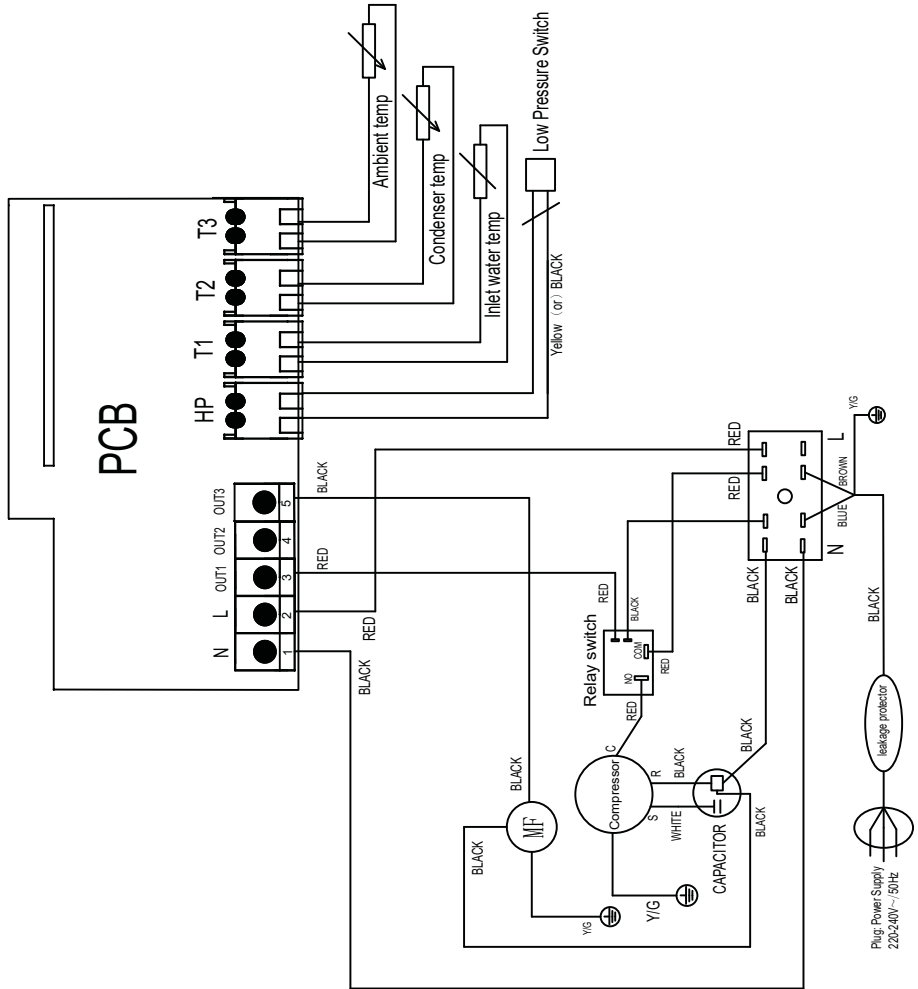
### **WARNING:**

**The contractual warranty cannot be validated with the installer or Poolstar unless your product has been registered on our website.**

# A. Appendices / Anhänge / Bijlage

## A.1 Wiring diagrams / Schaltpläne / Bedringschema

EN



# BITTE AUFMERKSAM LESEN



Diese Wärmepumpe enthält ein brennbares Kältemittel R32.

Eingriffe in den Kältemittelkreislauf sind ohne gültige Genehmigung verboten.

Vor Arbeiten am Kältemittelkreislauf sind folgende Vorsichtsmaßnahmen für sicheres Arbeiten erforderlich.

## 1. Arbeitsablauf

Die Arbeiten müssen nach einem kontrollierten Verfahren durchgeführt werden, um das Risiko des Vorhandenseins von brennbaren Gasen oder Dämpfen während der Ausführung der Arbeiten zu minimieren.

## 2. Allgemeiner Arbeitsbereich

Alle Personen in dem Gebiet müssen über die Art der laufenden Arbeiten informiert werden. Vermeiden Sie Arbeiten in einem begrenzten Bereich. Der Bereich um den Arbeitsbereich sollte geteilt und abgesichert werden. Besondere Aufmerksamkeit sollte auf nahe gelegene Flammen- oder Wärmequellen gelegt werden.

## 3. Überprüfung der Anwesenheit von Kältemittel

Der Bereich sollte vor und während der Arbeit mit einem geeigneten Kältemitteldetektor überprüft werden, um sicherzustellen, dass kein potentiell brennbares Gas vorhanden ist. Stellen Sie sicher, dass das verwendete Lecksuchgerät für brennbare Kältemittel geeignet ist, dh es erzeugt keine Funken, ist ordnungsgemäß abgedichtet oder hat innere Sicherheit.

## 4. Vorhandensein eines Feuerlöschers

Wenn an dem Kühlgerät oder einem zugehörigen Teil heiße Arbeiten durchgeführt werden sollen, müssen entsprechende Feuerlöschgeräte vorhanden sein. Installieren Sie einen Trockenpulver- oder CO<sub>2</sub>-Feuerlöscher in der Nähe des Arbeitsbereichs.

## 5. Keine Quelle von Flamme, Hitze oder Funken

Es ist absolut verboten, eine Wärmequelle, Flamme oder Funken in unmittelbarer Nähe von einem oder mehreren Teilen oder Rohren zu verwenden, die ein brennbares Kältemittel enthalten oder enthalten haben. Alle Zündquellen, einschließlich des Rauchens, müssen ausreichend weit vom Installations-, Reparatur-, Ausbau- und Entsorgungsort entfernt sein. Während dieser Zeit kann ein entflammbares Kältemittel in die Umgebung freigesetzt werden. Vor Beginn der Arbeiten sollte die Umgebung des Geräts überprüft werden, um sicherzustellen, dass keine Entflammbarkeit besteht. «Nichtraucher» -Schilder müssen gepostet werden.

## 6. Belüfteter Bereich

Stellen Sie sicher, dass sich der Bereich im Freien befindet oder ausreichend belüftet ist, bevor Sie an dem System arbeiten oder heiße Arbeiten ausführen. Während der Dauer der Arbeiten muss eine gewisse Belüftung aufrechterhalten werden.

## 7. Kontrollen von Kühlgeräten

Wenn elektrische Komponenten ersetzt werden, müssen sie für den vorgesehenen Zweck und die entsprechenden Spezifikationen geeignet sein. Nur die Teile des Herstellers können verwendet werden. Wenden Sie sich im Zweifelsfall an den technischen Service des Herstellers.

Die folgenden Kontrollen sollten auf Anlagen mit brennbaren Kältemitteln angewendet werden:

- Die Größe der Ladung richtet sich nach der Größe des Raumes, in dem die Räume mit dem Kältemittel installiert sind;

- Belüftung und Lüftungsöffnungen funktionieren ordnungsgemäß und sind nicht behindert;

- Wenn ein indirekter Kühlkreislauf verwendet wird, muss auch der Sekundärkreislauf überprüft werden.

- Die Markierung am Gerät bleibt sichtbar und lesbar. Unleserliche Zeichen und Zeichen müssen korrigiert werden;

- Kühlleitungen oder -komponenten werden an einer Stelle installiert, an der es unwahrscheinlich ist, dass sie einer Substanz ausgesetzt sind, die Kältemittel enthaltende Komponenten korrodieren könnte

## 8. Überprüfung von Elektrogeräten

Reparatur und Wartung von elektrischen Komponenten müssen erste Sicherheitsprüfungen und Bauteilprüfungen beinhalten. Wenn ein Defekt vorliegt, der die Sicherheit beeinträchtigen könnte, sollte keine Stromversorgung an den Stromkreis angeschlossen werden, bis das Problem behoben ist.

Die ersten Sicherheitsüberprüfungen müssen Folgendes umfassen:

- Dass die Kondensatoren entladen sind: Dies muss auf eine sichere Weise geschehen, um die Möglichkeit von Funken zu vermeiden;

- Während des Beladens, Rückgewinnens oder Spülens des Kältemittel-Gassystems sind keine elektrischen Komponenten oder Leitungen freigelegt;

- Es besteht eine Kontinuität der Erdung,t



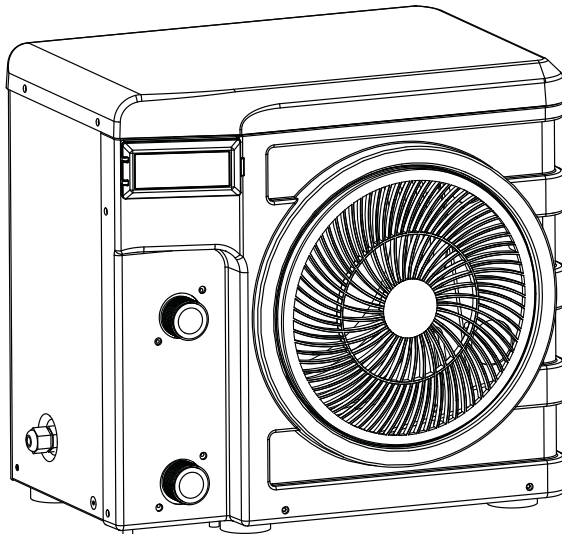
# Danksagung

*Sehr geehrter Kunde,*

*Vielen Dank für Ihren Kauf und das damit verbundene Vertrauen in unsere Produkte.*

*Unsere Produkte sind das Ergebnis einer jahrelangen Forschungsarbeit auf dem Gebiet der Konstruktion und Fertigung von Schwimmbecken-Wärmepumpen. Wir haben den Anspruch, Ihnen ein qualitativ hochwertiges Produkt mit hervorragenden Leistungseigenschaften zu liefern.*

*Die vorliegende Anleitung wurde mit größter Sorgfalt erstellt und soll Ihnen dabei helfen, die Vorzüge Ihrer Poolex-Wärmepumpe bestmöglich zu nutzen.*





# BITTE AUFMERKSAM LESEN

**Die vorliegenden Installationsanweisungen sind ein integraler Bestandteil des Produkts. Sie müssen dem Installateur ausgehändigt und vom Nutzer aufbewahrt werden.**

**Falls Sie die Anleitung verlieren sollten, verweisen wir auf die Website:**

**[www.poolex.de](http://www.poolex.de)**

Alle in der vorliegenden Anleitung enthaltenen Anweisungen und Empfehlungen müssen sorgfältig gelesen und zur Kenntnis genommen werden, da sie wichtige Informationen zur sicheren Handhabung und Bedienung der Wärmepumpe beinhalten. **Bewahren Sie diese Anleitung an einem leicht zugänglichen Ort auf, damit Sie auch in Zukunft problemlos darauf zurückgreifen können.**

**Die Installation muss von qualifiziertem Fachpersonal** unter Einhaltung der geltenden Vorschriften und der Anweisungen des Herstellers durchgeführt werden. Eine unsachgemäße Installation kann Verletzungen von Personen oder Tieren sowie mechanische Schäden nach sich ziehen, für die der Hersteller in keiner Weise haftbar gemacht werden kann.

**Nach dem Auspacken der Wärmepumpe überprüfen Sie bitte den Inhalt auf etwaige Schäden. Überzeugen Sie sich außerdem davon, dass der auf dem Manometer angezeigte Druck über 80 PSI liegt. Ist dies nicht der Fall, könnte ein Kältemittelleck vorliegen.**

Stellen Sie vor dem Anschließen der Wärmepumpe sicher, dass die Installationsbedingungen vor Ort mit den in der vorliegenden Anleitung enthaltenen Vorgaben übereinstimmen und die maximal zugelassenen Grenzwerte für das betreffende Gerät nicht überschreiten.

**Bei Ausfall und/oder Fehlfunktion muss die Wärmepumpe von der Stromversorgung getrennt werden.** Es darf auf keinen Fall versucht werden, den Fehler zu beheben. Reparaturarbeiten dürfen nur von einem zugelassenen technischen Wartungsdienst unter Verwendung von Originalersatzteilen durchgeführt werden. Die Nichteinhaltung der vorgenannten Bestimmungen kann den sicheren Betrieb der Wärmepumpe beeinträchtigen.

Zur Gewährleistung einer effizienten und ordnungsgemäßen Funktion der Wärmepumpe ist es von wesentlicher Bedeutung, dass sie regelmäßig unter Beachtung der hier enthaltenen Anweisungen gewartet wird.

Wird die Wärmepumpe verkauft oder an einen anderen Benutzer übergeben, ist stets darauf zu achten, dass dem künftigen Benutzer neben dem Gerät auch alle technischen Unterlagen ausgehändigt werden.

Die Wärmepumpe darf nur für die Beheizung von Schwimmbecken verwendet werden. Jeder sonstige Verwendungszweck gilt als ungeeignet, unsachgemäß und sogar gefährlich.

Sämtliche vertraglichen und außervertraglichen Pflichten des Herstellers/Händlers gelten nicht für Schäden, die durch Installations- oder Bedienfehler oder durch eine Nichtbeachtung der hier enthaltenen Anleitungen oder der geltenden Installationsvorschriften für das in dieser Anleitung beschriebene Gerät verursacht werden.

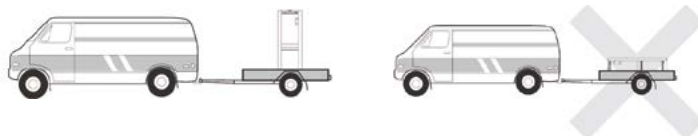
<b>1. Allgemeines</b> .....	<b>4</b>
1.1 Allgemeine Lieferbedingungen .....	4
1.2 Sicherheitshinweise .....	4
1.3 Wasseraufbereitung .....	5
<b>2. Beschreibung</b> .....	<b>6</b>
2.1 Lieferumfang .....	6
2.2 Allgemeine Merkmale .....	6
2.3 Technische Daten .....	7
2.4 Abmessungen .....	8
2.5 Explosionsdarstellung .....	9
<b>3. Installation</b> .....	<b>10</b>
3.1 Aufstellort .....	10
3.2 Installationsschema .....	11
3.3 Hydraulikanschluss .....	11
3.4 Elektroanschluss .....	11
<b>4. Verwendung</b> .....	<b>12</b>
4.1 Bedienfeld .....	12
4.2 Heizbetrieb .....	13
4.3 Statuswerte und erweiterte Einstellungen .....	14
<b>5. Betrieb</b> .....	<b>16</b>
5.1 Betrieb .....	16
<b>6. Wartung und Pflege</b> .....	<b>17</b>
6.1 Wartung, Pflege und Einwinterung .....	17
<b>7. Reparaturen</b> .....	<b>18</b>
7.1 Betriebsstörungen und Fehler .....	18
<b>8. Recycling</b> .....	<b>19</b>
8.1 Recyceln der Wärmepumpe .....	19
<b>9. Garantie</b> .....	<b>20</b>
9.1 Allgemeine Garantiebedingungen .....	20
<b>A. Anhänge</b> .....	<b>A</b>
A.1 Schaltpläne .....	A

# 1. Allgemeines

## 1.1 Allgemeine Lieferbedingungen

Der Versand der Ware erfolgt frachtfrei und einschließlich Verpackung auf Risiko und Gefahr des Empfängers.

Der Empfänger muss eine Sichtprüfung durchführen, um eventuell an der Wärmepumpe entstandene Transportschäden (Kühlsystem, Abdeckplatten, Schaltkasten, Montagerahmen) zu identifizieren. Etwaige Transportschäden sind auf dem Lieferschein des Spediteurs schriftlich zu vermerken. Eine entsprechende Bestätigung muss innerhalb von 48 Stunden per Einschreiben an den Spediteur gesendet werden.



Das Gerät muss stets in senkrechter Position auf einer Palette sowie in der Originalverpackung gelagert und transportiert werden. Wird das Gerät in waagerechter Position abgestellt oder transportiert, warten Sie bitte mindestens 24 Stunden, bevor Sie es einschalten.

## 1.2 Sicherheitshinweise



**WICHTIGER HINWEIS: Bitte lesen Sie die Sicherheitshinweise aufmerksam durch, bevor Sie das Gerät verwenden. Die nachstehenden Anweisungen sind sicherheitsrelevant und müssen zwingend beachtet werden.**

### *Installation und Wartung*

Installation, Inbetriebnahme, Wartung und Reparaturen dürfen nur von einer entsprechend qualifizierten Fachkraft unter Einhaltung der geltenden Normen durchgeführt werden.

Vor der Bedienung oder Durchführung von Arbeiten (Installation, Inbetriebnahme, Verwendung, Wartung) muss sich die verantwortliche Person mit allen im Installationshandbuch der Wärmepumpe enthaltenen Anweisungen sowie mit den technischen Daten vertraut machen.

Das Gerät darf keinesfalls in der Nähe von Wärmequellen, brennbaren Stoffen oder dem Frischluft-eintritt eines Gebäudes aufgestellt werden.

Sofern das Gerät nicht in einem Bereich mit beschränktem Zutritt aufgestellt wird, muss ein Schutzgitter um die Wärmepumpe angebracht werden.

Während Installation, Wartung oder Reparaturen nicht auf die Rohrleitungen treten, da es andernfalls zu schweren Verbrennungen kommen kann.

Um schwere Verbrennungen zu vermeiden, muss die Wärmepumpe vor der Durchführung von Arbeiten am Kühlsystem ausgeschaltet und mehrere Minuten gewartet werden, bevor die Temperatur- und Drucksensoren angebracht werden.

Im Zuge der Wartung der Wärmepumpe ist der Kältemittel-Füllstand zu überprüfen.

Es muss überprüft werden, ob die Druckschalter für geringen und hohen Druck korrekt an das Kühlsystem angeschlossen sind und den Schaltkreis unterbrechen, wenn sie während der jährlichen Leckageinspektion des Geräts ausgelöst werden.

Die Kühlsystemkomponenten sind auf Anzeichen von Korrosion und Ölflecken zu prüfen.

# 1. Allgemeines

## *Verwendung*

Während der Ventilator in Betrieb ist, darf er keinesfalls berührt werden, da es andernfalls zu schwere Verletzungen kommen kann.

Sorgen Sie dafür, dass die Wärmepumpe für Kinder unzugänglich ist, um schwere Verletzungen durch die Rotoren des Wärmetauschers zu vermeiden.

Starten Sie das Gerät niemals, wenn sich kein Wasser im Schwimmbecken befindet oder wenn die Umwälzpumpe nicht läuft.

Überprüfen Sie monatlich die Wasserdurchflussmenge, und reinigen Sie ggf. den Filter.

## *Reinigung*

Schalten Sie die Stromversorgung des Geräts aus.

Schließen Sie die Ventile für den Wassereinlass und -auslass.

Führen Sie keine Gegenstände in den Einlass und Auslass für Luft und Wasser ein.

Das Gerät darf nicht mit Wasser abgespült werden.

## *Reparatur*

Arbeiten am Kühlsystem müssen unter Einhaltung der geltenden Sicherheitsbestimmungen durchgeführt werden.

Hardtlötarbeiten müssen von einem ausgebildeten Schweißer durchgeführt werden.

Defekte Kühlsystemkomponenten dürfen nur gegen Ersatzteile ausgetauscht werden, die von unserer technischen Abteilung zertifiziert wurden.

Die Rohrleitungen dürfen nur gegen Kupferrohre gemäß der Norm NF EN12735-1 ausgetauscht werden.

Drucktests zur Leckageerkennung:

Um Brand- und Explosionsgefahr zu vermeiden, darf niemals Sauerstoff oder Trockenluft verwendet werden.

Stattdessen sind trockener Stickstoff oder eine Mischung aus Stickstoff und Kältemittel einzusetzen.

Der Prüfdruck auf Nieder- und Hochdruckseite sollte nicht mehr als 42 bar betragen.

## **1.3 Wasseraufbereitung**

Poolex-Wärmepumpen für Schwimmbecken sind mit allen Arten von Wasseraufbereitungssystemen kompatibel.

Es muss jedoch sichergestellt werden, dass die Wasseraufbereitungsanlage (Dosierpumpe für Chlor, pH, Brom und/oder Salzwasser-Chlorinator) innerhalb des Hydraulikkreises nach dem Heizsystem installiert wird.

**Um die Abnutzung Ihrer Wärmepumpe zu minimieren, sollte der pH-Wert des Wassers zwischen 6,9 und 8,0 liegen.**

# 2. Beschreibung

## 2.1 Lieferumfang

- ✓ Wärmepumpe Poolex Nano Action
- ✓ Hydraulische Anschlüsse für Wasserzu- und -ablauf Durchmesser 32 / 38mm
- ✓ Installations- und Gebrauchsanleitung
- ✓ **4 Vibrationsdämpfer**

## 2.2 Allgemeine Merkmale

Merkmale der Poolex-Wärmepumpe:

- ◆ Zertifizierung gemäß CE- und RoHS-Richtlinie.
- ◆ Hohe Energieeffizienz mit bis zu 80 % weniger Verbrauch im Vergleich zu einem konventionellen Beheizungssystem.
- ◆ Ökologisches, umweltfreundliches Kältemittel R410A mit hoher Kälteleistung.
- ◆ Zuverlässiger und leistungsstarker branchenführender Kompressor.
- ◆ Verdampfer mit großer Wärmeaustauschfläche aus hydrophil beschichtetem Aluminium, der den Betrieb bei niedrigen Temperaturen ermöglicht.
- ◆ Benutzerfreundliche, intuitive Bedienfeld.
- ◆ Gehäuse aus höchst widerstandsfähigem Material mit UV-beständiger und wartungsfreundlicher Oberfläche.
- ◆ Geräuscharm

# 2. Beschreibung

## 2.3 Technische Daten

		3 kW	4 kW	5 kW
Luft <sup>(1)</sup> 26°C Wasser <sup>(2)</sup> 26°C	Heizleistung (W)	2800	4 200	5 010
	Leistungsaufnahme (W)	580	810	990
	<b>COP (Leistungszahl)</b>	<b>4,83</b>	<b>5,19</b>	<b>5,03</b>
Luft <sup>(1)</sup> 15°C Wasser <sup>(2)</sup> 26°C	Heizleistung (W)	2210	3 100	4 030
	Leistungsaufnahme (W)	540	760	1 000
	<b>COP (Leistungszahl)</b>	<b>4,09</b>	<b>4,08</b>	<b>4,03</b>
Stromversorgung	220-240V ~ 50Hz			
Max. Leistung (W)	930	1 200	1 500	
Maximalstrom (A)	4,15	5,32	6,65	
Heiztemperaturbereich	15°C ~ 40°C			
Betriebsbereich	8°C ~ 43°C			
Abmessungen L×B×H (mm)	385 x 400 x 280			
Gewicht (kg)	18	24	26	
Verpackungsmaße L×B×H (mm)	415 x 460 x 370			
Verpackungsgewicht (kg)	20	28	30	
Schalldruckpegel 10m (dBA) <sup>(3)</sup>	<32	<35	<36	
Hydraulikanschluss (mm)	PVC 32 / 38mm			
Wärmetauscher	PVC tank and titanium heating coil			
Min. Wasserdurchflussmenge (m³/h)	1,3	2	2,5	
Kompressortyp	Rotierend			
Kältemittel	R32			
Kältemittel-Fassungsvermögen (kg)	0,15	0,3	0,35	
GWP	675			
CO2 equivalent	0,10	0,203	0,337	
IP-Bewertung der Wasserbeständigkeit	IPX4			
Kurzschlussverlust (mCE)	0,8			
Max. Beckenvolumen (m³) <sup>(4)</sup>	≤21	≤28	≤35	
Steuerkasten	Steuerbildschirm mit Hintergrundbeleuchtung			
Modus	Heizung			

Die technischen Daten unserer Wärmepumpen sind nur zu Informationszwecken gedacht. Wir behalten uns das Recht vor, daran ohne Vorankündigung Änderungen vorzunehmen.

<sup>1</sup> Umgebungstemperatur der Luft

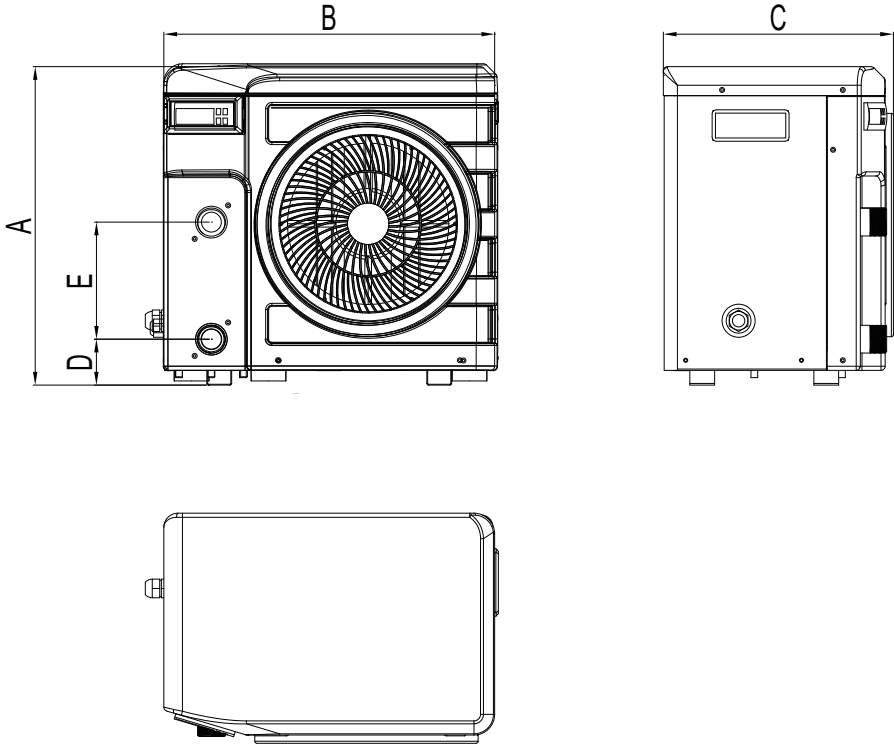
<sup>2</sup> Anfängliche Wassertemperatur

<sup>3</sup> Lärmbelastung bei 10 m Entfernung gemäß Richtlinien EN ISO 3741 und EN ISO 354

<sup>4</sup> Berechnet für einen in den Boden eingelassenen, mit Luftpolsterfolie abgedeckten Privatpool.

# 2. Beschreibung

## 2.4 Abmessungen



Abmessungen in mm

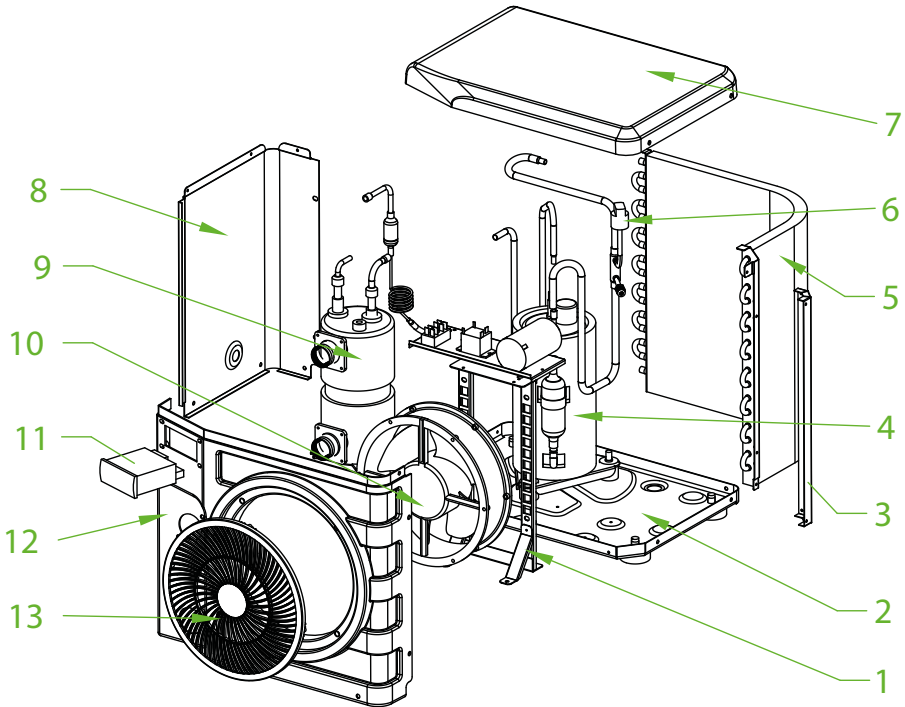
Nano Action 3 kW / 4 kW / 5 kW	
A	385
B	400
C	280
D	55
E	140



# 2. Beschreibung

## 2.5 Explosionsdarstellung

DE



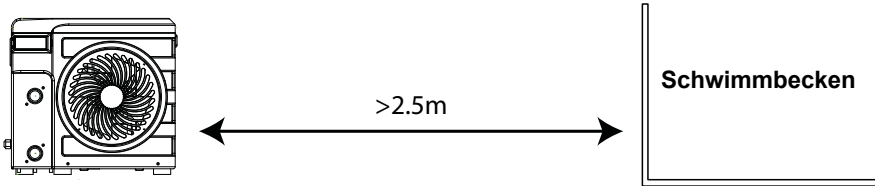
- 1. Ventilator-Rahmenkonstruktion
- 2. Gestell
- 3. Rahmenkonstruktion
- 4. Kompressor
- 5. Verdampfer
- 6. Drucksensor
- 7. Deckplatte
- 8. Abdeckplatte links
- 9. Wärmetauscher
- 10. Ventilator-Motor
- 11. Bedienfeld
- 12. Frontplatte
- 13. Ventilator-Schutzgitter

# 3. Installation

**Die Wärmepumpe ist sehr einfach zu installieren, nur Wasser und Strom müssen während der Installation angeschlossen werden.**

## 3.1 Aufstellort

Die Wärmepumpe sollte mindestens 2,5 Meter vom Schwimmbecken entfernt sein.



**Halten Sie bei der Wahl des Aufstellorts Ihrer Wärmepumpe bitte die folgenden Richtlinien ein.**

1. Das Gerät muss an seinem Aufstellort leicht zugänglich sein, damit es bequem bedient und gewartet werden kann.
2. Es muss auf dem Erdboden installiert und nach Möglichkeit auf einem ebenen Betonboden laud werden. Stellen Sie sicher, dass der Boden ausreichend stabil ist und das Gewicht des Geräts tragen kann.
3. Achten Sie darauf, dass das Gerät ausreichend belüftet wird, dass die Luftausblasöffnung nicht zur Fensterseite benachbarter Gebäude hin ausgerichtet ist und dass kein Zurückströmen der Abluft möglich ist. Darüber hinaus ist rund um das Gerät ein ausreichender Abstand für Reinigungs- und Wartungsarbeiten vorzusehen.
4. Das Gerät darf nicht in der Nähe von Hochfrequenzgeräten installiert werden oder in Bereichen, in denen Öle, entzündliche Gase, Korrosion verursachende Produkte oder schwefelhaltige Substanzen vorliegen.
5. Installieren Sie die Wärmepumpe nicht in der Nähe von Straßen oder Wegen, um eine Verunreinigung des Geräts durch Schlammgespritzer zu vermeiden.
6. Um die Lärmbelästigung möglichst gering zu halten, sollten Sie die Wärmepumpe so installieren, dass sie nicht in Richtung lärmsensibler Bereiche ausgerichtet ist.
7. Stellen Sie das Gerät nach Möglichkeit außerhalb der Reichweite von Kindern auf.



Abmessungen in mm

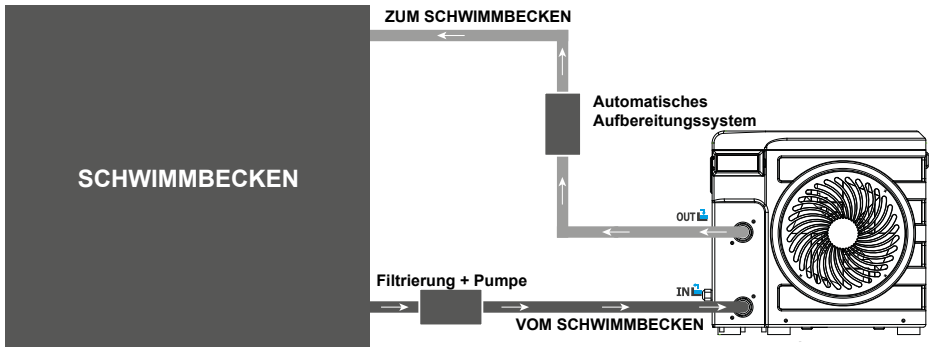
**Platzieren Sie keine Gegenstände in weniger als 1,50 m Entfernung vor der Wärmepumpe.**

**Lassen Sie seitlich und hinter der Wärmepumpe einen Sicherheitsabstand von 30 cm.**

**Platzieren Sie keine Gegenstände unmittelbar über oder vor dem Gerät!**

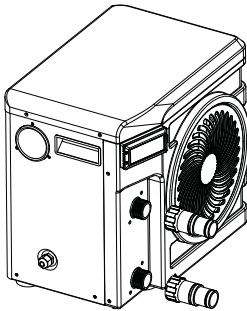
# 3. Installation

## 3.2 Installationsschema



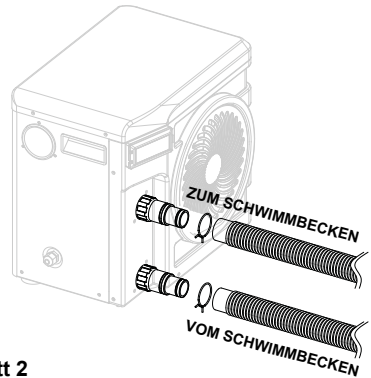
Der der Wärmepumpe vorgeschaltete Filter muss regelmäßig gereinigt werden, damit das zirkulierende Wasser sauber ist und etwaige Funktionsprobleme aufgrund einer Verschmutzung oder Verstopfung des Filters vermieden werden.

## 3.3 Hydraulikanschluss



### Schritt 1

Schrauben Sie die Anschlüsse an der Wärmepumpe fest



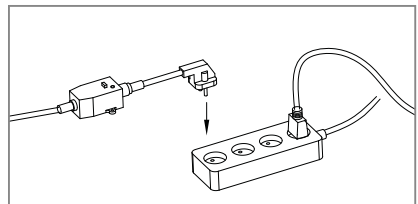
### Schritt 2

Schließen Sie das Wasserauslassrohr und das Wasseransaugrohr an

## 3.4 Elektroinstallation

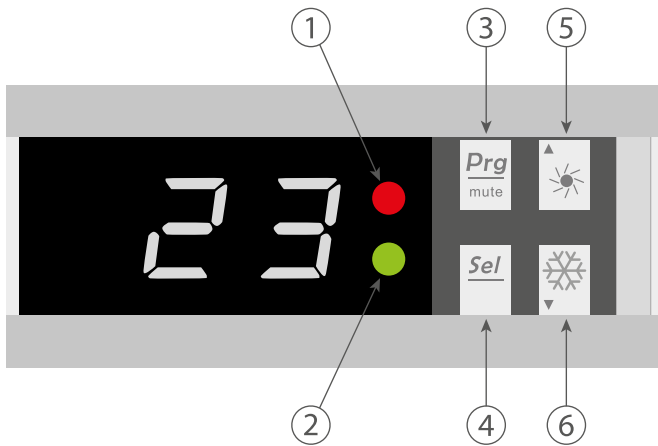
In der Steckdose der Wärmepumpe ist ein 10mA Differentialschutzschalter eingebaut. Stellen Sie vor dem Anschließen der Wärmepumpe sicher, dass die Steckdose ordnungsgemäß geerdet ist.

Die Filterpumpe muss gleichzeitig mit der Wärmepumpe arbeiten. Verbinden Sie sie daher mit dem selben Stromkreis.



# 4. Verwendung

## 4.1 Bedienfeld



- 1. Power LED
- 2. LED auftauen

- 3. An / aus Schalter
- 4. Selektieren

- 5. +
- 6. -

# 4. Verwendung

## 4.2 Heizbetrieb



**WICHTIGER HINWEIS:** Stellen Sie eingangs sicher, dass die Filterpumpe korrekt funktioniert.

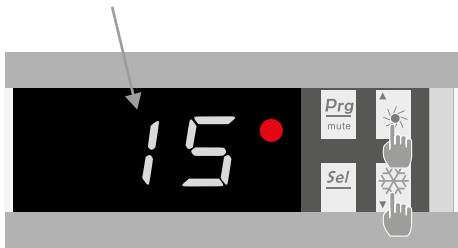
**Schritt 1:** Drücken Sie , um die Pumpe einzuschalten.

**Schritt 2:** Wählen Sie mithilfe der Pfeile  und  die gewünschte Temperatur aus.

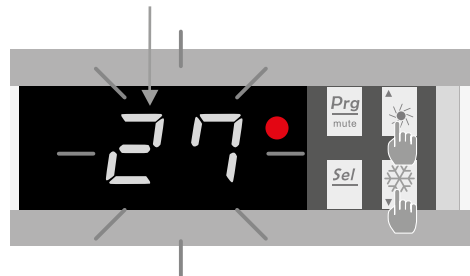
BEISPIEL:

Wenn die aktuelle Temperatur 15°C beträgt, ist der Standardwert 27°C und die gewünschte Temperatur ist 30°C.

Aktuelle-Temperatur



Soll-Temperatur



### Wissenswertes zur Funktion des Heizbetriebs

Wenn die Temperatur des zulaufenden Wassers geringer oder gleich der festgelegten Temperatur (Soll-Temperatur) - X °C ist, schaltet die Wärmepumpe in den Heizbetrieb. Der Kompressor stoppt, wenn die Temperatur des zulaufenden Wassers größer oder gleich der festgelegten Temperatur (Soll-Temperatur)

#### Angaben zum Einstellbereich X

X : variabler Parameter von 1° bis 15°C, Standardeinstellung bei 3°C. (Parameter N°6)

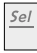
# 4. Verwendung

## 4.3 Statuswerte und erweiterte Einstellungen




**WICHTIGER HINWEIS:** Dieser Vorgang dient dazu, künftige Wartungs- und Reparaturarbeiten zu erleichtern. Die Standardeinstellungen sollten nur von erfahrenem Fachpersonal geändert werden.

Die Systemparameter können über die Fernbedienung überprüft und eingestellt werden. Befolgen Sie hierzu die nachfolgenden Schritte.


**Schritt 1 :** Drücken Sie  so oft, bis sich das Gerät im Modus zur Bestätigung der Einstellungen befindet.


**Schritt 2 :** Drücken Sie  und  um die Einstellungen zu sehen.

**Schritt 3 :** Drücken Sie  um die zu ändernde Einstellung auszuwählen.

*HINWEIS: Bestimmte Einstellungen können nicht geändert werden. Weitere Informationen können Sie der Parametertabelle entnehmen.*

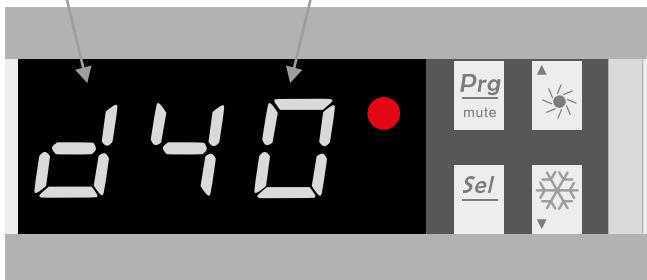
**Schritt 4 :** Drücken Sie  und  um den Parameterwert einzustellen.

**Schritt 5 :** Drücken Sie  um den neuen Wert festzulegen.

**Schritt 6 :** Drücken Sie  um zur Hauptanzeige zurückzukehren.

Parameter d

Value 40



# 4. Verwendung

Parametertabelle

Nr.	Beschreibung	Einstellbereich	Werkseinstellung	Anmerkungen
A	Wasservorlauftemperatur	-19~99°C		Ist-Werte
b	Wasserrücklauftemperatur	-19~99°C		Ist-Werte
c	Umgebungstemperatur der Luft	-19~99°C		Ist-Werte
d	Standardtemperatur	15~40°C	27°C	Einstellbar
E	Auto-Aktivierungszeit des Abtauvorgangs	10~80 min	40 min	Einstellbar
F	Maximale Dauer des Abtauvorgangs	10~40 min	30 min	Einstellbar
H	Einstellung der Temperaturabweichung für den Neustart	1~10°C	3°C	Einstellbar
J	Automatischer Neustart	0 = OFF 1 = ON	1	Einstellbar
O	Frostschutz - niedrige Lufttemperatur	0~15°C	8°C	Einstellbar
P	Evaporator temperature to enter defrosting mode	-19°C~0°C	-3°C	Einstellbar
U	Verdampfertemperatur zum Verlassen des Abtaumodus	1~30°C	20°C	Einstellbar
t	Reserviert - nicht ändern			Reserviert

DE

# 5. Betrieb

## 5.1 Betrieb

### *Betriebsbedingungen*


**Damit die Wärmepumpe normal funktioniert, muss die Umgebungstemperatur der Luft zwischen 8°C und 43 °C liegen.**

### *Empfehlungen für das Vorgehen vor dem Einschalten*

Gehen Sie folgendermaßen vor, bevor Sie die Wärmepumpe in Betrieb nehmen:

- ✓ Überprüfen Sie, ob das Gerät standsicher ist.
- ✓ Kontrollieren Sie die ordnungsgemäße Funktion Ihrer Elektroinstallation.
- ✓ Stellen Sie sicher, dass die Hydraulikanschlüsse dicht sind und kein Wasser austritt.
- ✓ Entfernen Sie alle unnötigen Gegenstände und Werkzeuge aus dem Bereich um das Gerät.

### *Verwendung*

1. Schließen Sie den Netzstecker des Geräts an.
2. Aktivieren Sie die Umwälzpumpe.
3. Aktivieren Sie den Stromversorgungsschutz des Geräts (Differenzschalter befindet sich am Stromkabel).
4. Aktivieren Sie die Wärmepumpe durch einmaliges Drücken auf .
5. Wählen Sie die gewünschte Temperatur.
6. Der Kompressor der Wärmepumpe schaltet sich kurz danach ein.

Nun brauchen Sie nur darauf zu warten, dass die Soll-Temperatur erreicht wird.



**WICHTIGER HINWEIS:** Unter normalen Bedingungen kann eine geeignete Wärmepumpe das Wasser in einem Schwimmbecken um 1 bis 2 °C pro Tag erwärmen. Es ist daher durchaus normal, wenn Sie keinen Temperaturunterschied im System spüren können, während die Wärmepumpe arbeitet.

Um Wärmeverlust zu vermeiden, muss ein beheiztes Schwimmbecken abgedeckt werden.



# 6. Wartung und Pflege

## 6.1 Wartung, Pflege und Einwinterung



**WICHTIGER HINWEIS: Vor Beginn von Wartungsarbeiten am Gerät müssen Sie das Gerät unbedingt von der Stromversorgung trennen.**

### Reinigung

Das Gehäuse der Wärmepumpe muss mit einem feuchten Tuch gereinigt werden. Tenside und andere Haushaltsreiniger können die Gehäuseoberfläche beschädigen und ihre Eigenschaften beeinträchtigen.

Der Verdampfer auf der Rückseite der Wärmepumpe muss vorsichtig mit einem Staubsauger mit weichem Bürstenaufsatz abgesaugt werden.

### Jährliche Wartung

Folgende Arbeiten sind mindestens einmal pro Jahr von einer qualifizierten Person vorzunehmen:

- ✓ Sicherheitsprüfungen.
- ✓ Überprüfung der Integrität der elektrischen Kabel.
- ✓ Überprüfung der Erdungsanschlüsse.
- ✓ Überprüfung von Manometer und Kältemittel

### Einwinterung

Ihre Wärmepumpe ist so konzipiert, dass sie bei Regenwetter und Frost mit einer speziell entwickelten Frostschutztechnologie funktioniert. Es wird jedoch nicht empfohlen, das Gerät für längere Zeit draußen zu lassen (z. B. im Winter). Bewahren Sie die Wärmepumpe nach dem Ablassen des Pools für den Winter an einem trockenen Ort auf.

# 7. Dépannage



**WICHTIGER HINWEIS:** Unter normalen Bedingungen kann eine geeignete Wärmepumpe das Wasser in einem Schwimmbecken um 1 bis 2 °C pro Tag erwärmen. Es ist daher durchaus normal, wenn Sie keinen Temperaturunterschied im System spüren können, während die Wärmepumpe arbeitet.  
Um Wärmeverlust zu vermeiden, muss ein beheiztes Schwimmbecken abgedeckt werden.

## 7.1 Betriebsstörungen und Fehler

Im Falle eines Problems zeigt der Bildschirm der Wärmepumpe anstelle der Temperaturanzeigen einen Fehlercode an. Die möglichen Fehlerursachen sowie die zu ergreifenden Maßnahmen entnehmen Sie bitte der unten Tabelle.

Fehlercode	Fehler	Mögliche Ursachen	Maßnahmen
P1	Störung des Sensors für die Wasservorlauftemperatur	Sensor ist nicht richtig angeschlossen	Schließen Sie den Sensor neu an.
		Sensor defekt	Wechseln Sie den Sensor aus.
		Steuerkasten defekt	Wechseln Sie die Steuerkasten aus
P3	Störung Verdampfer Temperatursensor	Ursachen identisch mit P1	Maßnahmen identisch mit P1
P5	Störung des Sensors für die Außentemperatur		
P7	Frostschutz	Schutz wird aktiviert, wenn die Umgebungstemperatur zu gering ist	Kein Benutzereingriff erforderlich
E6	Niederdruckschutz	Nicht genügend Kältemittel	Korrigieren Sie die Kältemittelmenge.
		Druckschalter nicht angeschlossen oder defekt	Schließen Sie den Druckschalter wieder an bzw. wechseln Sie ihn aus.
		Steuerkasten defekt	Wechseln Sie die Steuerkasten aus
Die Wärmepumpe funktioniert nicht		Nicht genügend Wasser im Wärmetauscher 1	Überprüfen Sie die Funktion des Wasserkreislaufs
		Steuerkasten defekt	Wechseln Sie die Steuerkasten aus

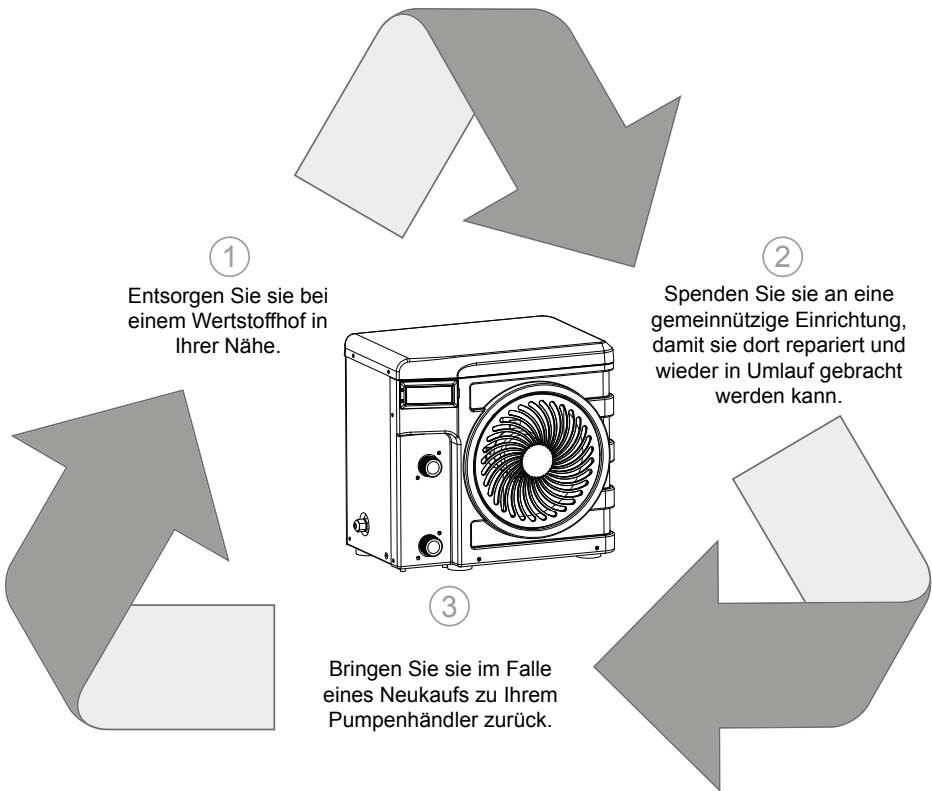
# 8. Recycling

## 8.1 Recyceln der Wärmepumpe

Ihre Wärmepumpe hat das Ende ihres Produktlebenszyklus erreicht. Sie möchten sie nun abgeben oder ersetzen. Bitte entsorgen Sie sie nicht über den Hausmüll.

Die Wärmepumpe muss getrennt entsorgt werden, um der Wiederverwendung, dem Recycling oder einer Nachrüstung zugeführt werden zu können. Sie enthält potenziell umweltschädliche Substanzen, die durch das Recycling eliminiert oder neutralisiert werden.

### SIE HABEN DREI MÖGLICHKEITEN:



# 9. Garantie

## 9.1 Allgemeine Garantiebedingungen

Die Firma Poolstar übernimmt gegenüber dem Erstkäufer für einen Zeitraum von drei (2) Jahren eine Garantie für sämtliche Material- und Fertigungsfehler an der Wärmepumpe Poolex Nano Action.

Für den Kompressor beträgt die Garantiezeit fünf (5) Jahre.

Für den Wärmetauscher aus Titan Garantiezeit fünfzehn (15) Jahre gegen chemische Korrosion, mit Ausnahme von Frostschäden, gewährt.

Für alle anderen Komponenten des Kondensators wird eine Garantie von drei (2) Jahren gewährt.

Die Garantielaufzeit beginnt ab Rechnungsdatum.

In folgenden Fällen gilt die Garantie nicht:

- Fehlfunktionen oder Schäden infolge einer unter Missachtung der Sicherheitshinweise ausgeführten Installation, Nutzung oder Reparatur
- Fehlfunktionen oder Schäden infolge eines ungeeigneten chemischen Milieus des Schwimmbeckens
- Fehlfunktionen oder Schäden infolge einer unsachgemäßen und zweckfremden Verwendung des Geräts
- Schäden infolge von Fahrlässigkeit, Havarie oder höherer Gewalt Fehlfunktionen oder Schäden infolge der Verwendung von nicht zugelassenen Zubehörteilen

Sämtliche Reparaturen, die während der Garantiezeit anfallen, müssen vor Ausführung genehmigt und dürfen nur von einem zugelassenen Techniker vorgenommen werden. Wird eine Reparatur durch eine unbefugte, nicht von der Firma Poolstar zugelassene Person ausgeführt, erlischt die Garantie.

Die von der Garantieleistung abgedeckten Bauteile werden im Ermessen der Firma Poolstar ersetzt oder repariert. Für eine Kostenübernahme müssen defekte Teile innerhalb der Garantiezeit an unser Werk zurückgeschickt werden. Die Garantieleistung erstreckt sich nicht auf die Lohnkosten oder die Kosten von nicht autorisierten Ersatzteilen. Die Kosten für die Rücksendung des fehlerhaften Bauteils sind nicht durch die Garantie abgedeckt.

Sehr geehrter Kunde/sehr geehrte Kundin,

**La preghiamo di dedicare qualche minuto alla compilazione del modulo di registrazione della garanzia che troverà nel nostro sito Internet:**

**<http://support.poolex.de/>**

Wir danken Ihnen für Ihr Vertrauen in unsere Produkte.

Viel Spaß beim Schwimmen!

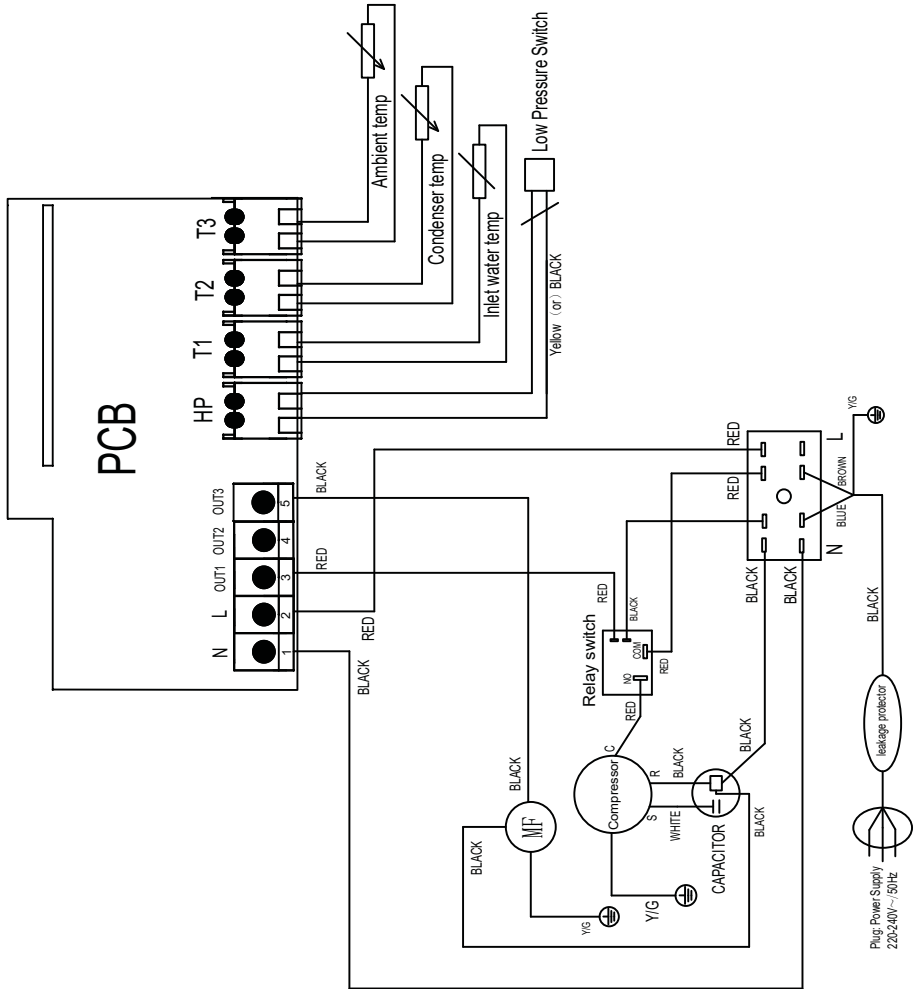
Ihre Angaben unterliegen dem Data Protection Act vom 6. Januar 1978 und werden nicht an Dritte weitergegeben.

### WICHTIGER HINWEIS:

Die vertragliche Garantie kann nur dann bei Ihrem Installateur oder bei Poolstar geltend gemacht werden, wenn Sie Ihr Produkt auf unserer Website registriert haben.

# A. Anhänge

## A.1 Schaltpläne



# Waarschuwingen



**Deze warmtepomp bevat een ontvlambaar koelmiddel R32.**

**Elke ingreep in het koudemiddelcircuit is verboden zonder een geldige autorisatie.**

**Voordat u aan het koelcircuit werkt, zijn de volgende voorzorgsmaatregelen nodig voor veilig werken.**

## **1. Werkprocedure**

Het werk moet volgens een gecontroleerde procedure worden uitgevoerd om het risico van de aanwezigheid van brandbare gassen of dampen tijdens de uitvoering van de werken tot een minimum te beperken.

## **2. Algemeen werkgebied**

Alle personen in het gebied moeten worden geïnformeerd over de aard van het onderhanden werk. Werk niet in een afgesloten ruimte. Het gebied rond het werkgebied moet worden verdeeld, beveiligd en er moet speciale aandacht worden besteed aan nabijgelegen bronnen van vuur of warmte.

## **3. Verificatie van de aanwezigheid van koelmiddel**

Het gebied moet voor en tijdens het werk worden gecontroleerd met een geschikte koelmiddeldetector om ervoor te zorgen dat er geen potentieel ontvlambaar gas is. Zorg ervoor dat de gebruikte lekdetectieapparatuur geschikt is voor ontvlambare koelmiddelen, dwz dat deze geen vonken produceren, goed zijn afgedicht of een interne veiligheid hebben.

## **4. Aanwezigheid van brandblusser**

Als warm werk moet worden uitgevoerd op de koelapparatuur of een bijbehorend onderdeel, moet geschikte brandblusapparatuur beschikbaar zijn. Installeer een droog poeder of CO<sub>2</sub> brandblusser in de buurt van het werkgebied.

## **5. Geen bron van vuur, hitte of vonk**

Het is volledig verboden om een warmtebron, vlam of vonk te gebruiken in de directe nabijheid van een of meer delen of buizen die een ontvlambaar koelmiddel bevatten of hebben bevat. Alle ontstekingsbronnen, inclusief roken, moeten voldoende ver verwijderd zijn van de plaats van installatie, reparatie, verwijdering en verwijdering, gedurende welke tijd een brandbaar koelmiddel in de omgeving kan vrijkomen. Voordat met het werk wordt begonnen, moet de omgeving van de apparatuur worden gecontroleerd om er zeker van te zijn dat er geen risico op ontvlambaarheid bestaat. «Niet roken» -borden moeten worden geplaatst.

## **6. Geventileerde ruimte**

Zorg ervoor dat het gebied zich in de open lucht bevindt of dat het goed geventileerd is voordat u aan het systeem werkt of warm werk verricht. Bepaalde ventilatie moet tijdens de duur van het werk worden gehandhaafd.

## **7. Regeling van koelapparatuur**

Wanneer elektrische componenten worden vervangen, moeten deze geschikt zijn voor het beoogde doel en de juiste specificaties. Alleen de onderdelen van de fabrikant kunnen worden gebruikt. Neem bij twijfel contact op met de technische dienst van de fabrikant.

De volgende controles moeten worden toegepast op installaties met behulp van brandbare koudemiddelen:

- De grootte van de lading is in overeenstemming met de grootte van de ruimte waarin de kamers met het koelmiddel zijn geïnstalleerd;

- Ventilatie en ventilatieopeningen werken naar behoren en worden niet belemmerd;

- Als een indirect koelcircuit wordt gebruikt, moet ook het secundaire circuit worden gecontroleerd.

- De markering op de apparatuur blijft zichtbaar en leesbaar. Onleesbare tekens en tekens moeten worden gecorrigeerd;

- Koelleidingen of -componenten worden geïnstalleerd in een positie waar het onwaarschijnlijk is dat ze worden blootgesteld aan een stof die componenten kan aantasten die koelmiddel bevatten

## **8. Verificatie van elektrische apparaten**

Reparatie en onderhoud van elektrische componenten moeten initiële veiligheidscontroles en inspectieprocedures voor onderdelen omvatten. Als er een defect is dat de veiligheid in gevaar zou kunnen brengen, mag er geen stroomvoorziening op het circuit worden aangesloten totdat het probleem is opgelost.

De eerste beveiligingscontroles moeten het volgende omvatten:

• Dat de condensatoren worden ontladen: dit moet op een veilige manier worden gedaan om de mogelijkheid van vonken te voorkomen;

• Er worden geen elektrische componenten of bedrading blootgesteld tijdens het laden, terugwinnen of spoelen van het koelgas-systeem;

• Er is continuïteit van de aarding.

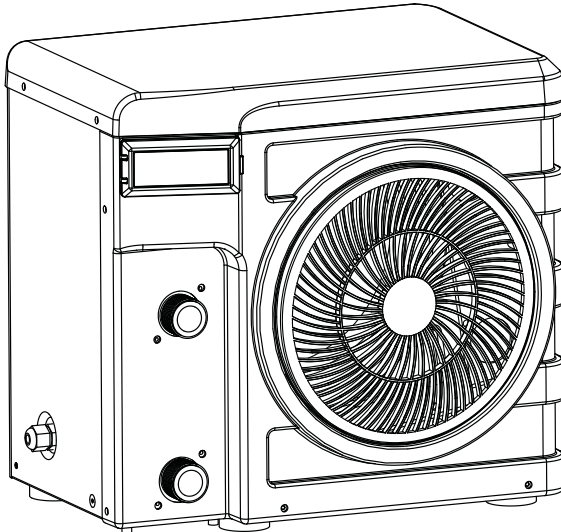
# Dank u

*Geachte klant,*

*Dank u voor de aanschaf van deze pomp en voor het gestelde vertrouwen in onze producten.*

*Onze producten zijn het resultaat van vele jaren van onderzoek op het gebied van ontwerp en productie van warmtepompen voor zwembaden. Ons doel is altijd om u te voorzien van een buitengewoon hoogwaardig product.*

*Deze handleiding is zorgvuldig samengesteld, zodat u optimaal kunt profiteren van uw Poolex warmtepomp.*





# LEES DEZE HANDLEIDING ZORGVULDIG

**Deze installatie-instructies vormen een integraal onderdeel van het product. Ze moeten beschikbaar gesteld worden aan de installateur en door de gebruiker worden bewaard**

**Indien de handleiding onverhoopt verloren gaat, raadpleeg dan de website:**

**[www.poolex.nl](http://www.poolex.nl)**

De aanwijzingen en aanbevelingen in deze handleiding moeten zorgvuldig gelezen en begrepen worden, aangezien ze waardevolle informatie bevatten over de veilige hantering en het gebruik van de pomp. **Bewaar deze handleiding voor toekomstig gebruik op een gemakkelijk te bereiken plaats.**

**De installatie moet worden uitgevoerd door een gekwalificeerde professional** in overeenstemming met de geldende voorschriften en de aanwijzingen van de fabrikant. Een installatiefout kan lichamelijk letsel aan personen en dieren veroorzaken, alsmede mechanische schade waarvoor de fabrikant in geen enkel geval aansprakelijk kan worden gesteld.

**Controleer de warmtepomp na het uitpakken zodat u eventuele beschadigingen kunt rapporteren. Controleer tevens of de op de manometer aangegeven druk hoger is dan 80 psi. Zo niet, dan kan dit wijzen op gelekte koelvloeistof.**

Voordat de warmtepomp wordt aangesloten moet worden gecontroleerd of de informatie in deze handleiding compatibel is met de installatie-instructies en of de voor dit specifieke product toegestane maximumwaarden niet worden overschreden.

**In het geval van een defect en/of storing van de warmtepomp, moet de stroomtoevoer worden losgekoppeld** en moet niet worden geprobeerd om de fout te repareren.

Reparaties moeten uitsluitend worden uitgevoerd door een erkende technische serviceorganisatie met gebruik van originele vervangingsonderdelen. Nalaten om zich te houden aan de bovengenoemde bepalingen kan een negatief effect hebben op de veilige werking van de warmtepomp.

Om de efficiëntie en goede werking van de pomp te garanderen, is het belangrijk dat regelmatig onderhoud wordt uitgevoerd in overeenstemming met de gegeven instructies.

Als de warmtepomp wordt verkocht of overgedragen, moet altijd gezorgd worden dat alle technische documentatie tezamen met het product aan de nieuwe eigenaar wordt overgedragen.

Deze warmtepomp is uitsluitend geschikt voor het verwarmen van een zwembad. Elk ander gebruik moet als ontoepasselijk, incorrect of zelfs als gevaarlijk worden beschouwd.

Alle contractuele of niet-contractuele aansprakelijkheid van de fabrikant/distributeur komt te vervallen in het geval van schade die is veroorzaakt door installatie- of operationele fouten, of door het niet naleven van de instructies in deze handleiding of van de huidige installatienormen die van toepassing zijn op de in dit document beschreven uitrusting.



# Inhoud

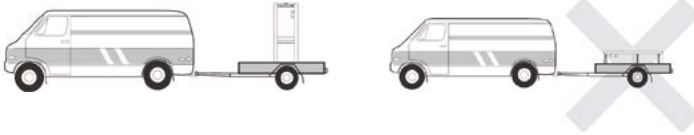
<b>1. Algemeen</b>	<b>4</b>
1.1 Algemene leveringsvoorwaarden	4
1.2 Veiligheidsinstructies	4
1.3 Waterbehandeling	5
<b>2. Beschrijving</b>	<b>6</b>
2.1 Inhoud van de verpakking	6
2.2 Algemene eigenschappen	6
2.3 Technisch specificaties	7
2.4 Afmetingen	8
2.5 Opengewerkte tekening	9
<b>3. Installatie</b>	<b>10</b>
3.1 Locatie	10
3.2 Indeling van installatie	11
3.3 Hydraulische aansluiting	11
3.4 Elektrische aansluiting	11
<b>4. Gebruik</b>	<b>12</b>
4.1 Bedieningspaneel	12
4.2 Functionerings keuze	12
4.3 Koel functie	12
4.4 Verwarming functie	13
4.5 Statuswaarden en geavanceerde instellingen	14
<b>5. Bediening</b>	<b>16</b>
5.1 Bediening	16
<b>6. Onderhoud en service</b>	<b>17</b>
6.1 Onderhoud, service en winteropslag	17
<b>7. Reparaties</b>	<b>18</b>
7.1 Storingen en defecten	18
<b>8. Recyclen</b>	<b>19</b>
8.1 De warmtepomp recyclen	19
<b>9. Garantie</b>	<b>20</b>
9.1 Algemene garantievoorwaarden	20
<b>A. Bijlage</b>	<b>A</b>
A.1 Bedradingsschema	A

# 1. Algemeen

## 1.1 Algemene leveringsvoorwaarden

Alle uitrusting wordt verzonden voor het eigen risico van de geadresseerde, zelfs in het geval van franco verzending en verpakking.

De persoon die verantwoordelijk is voor het in ontvangst nemen van de uitrusting moet deze visueel controleren op eventuele beschadigingen tijdens het transport (koelsysteem, panelen, elektrische regelkast, frame). Hij/zij moet opmerkingen over schade tijdens het transport vermelden op de vrachtbrief en dit per aangetekende brief binnen 48 uur melden aan de vervoerder.



De uitrusting moet altijd verticaal op een pallet en in de oorspronkelijke verpakking opgeslagen en getransporteerd worden. Als de uitrusting horizontaal wordt opgeslagen of getransporteerd, moet met het inschakelen ten minste 24 uur worden gewacht.

## 1.2 Veiligheidsinstructies

**WAARSCHUWING: Lees de veiligheidsinstructies zorgvuldig alvorens de uitrusting te gebruiken. De volgende instructies zijn essentieel voor de veiligheid en moeten daarom strikt worden opgevolgd.**



### *Tijdens installatie en onderhoud*

Installatiewerkzaamheden, opstarten, onderhoud en reparaties moeten uitsluitend worden uitgevoerd door een gekwalificeerde persoon en overeenkomstig de geldende normen.

Alvorens de uitrusting te gebruiken of daaraan werkzaamheden te verrichten (installatie, ingebruikname, gebruik, onderhoud), moet de verantwoordelijke persoon op de hoogte zijn van alle instructies in de installatiehandleiding van de pomp en van alle technische specificaties.

De uitrusting mag in geen geval dichtbij een hittebron, brandbare materialen of de luchtinlaatopening van een gebouw worden geïnstalleerd.

Als de installatie niet plaatsvindt op een plaats met beperkte toegang, moet een beschermrooster voor de warmtepomp worden aangebracht.

Loop tijdens de installatie, reparatie of onderhoud niet op het leidingwerk, om ernstige brandwonden te voorkomen.

Om ernstige brandwonden te voorkomen moet alvorens werkzaamheden te verrichten aan het koelsysteem de warmtepomp worden uitgeschakeld en moet enkele minuten worden gewacht alvorens de temperatuur- en druksensors te plaatsen.

Controleer tijdens het onderhoud het koelvloeistofniveau van de warmtepomp.

Controleer tijdens de jaarlijkse lekkagecontrole of de hoge- en lagedrukschakelaars correct zijn aangesloten op het koelsysteem en of ze het elektrisch circuit uitschakelen als ze getript worden.

Controleer of er geen sporen van corrosie of olievlekken aanwezig zijn rond de onderdelen met koelvloeistof.

# 1. Algemeen

## *Tijdens gebruik*

Om ernstig letsel te voorkomen mag de ventilator terwijl deze in bedrijf is nooit worden aangeraakt.

Houd de pomp buiten het bereik van kinderen om ernstig letsel door de bladen van de warmtewisselaar te voorkomen.

Start de uitrusting nooit als het zwembad leeg is of als de circulatiepomp is gestopt.

Controleer maandelijks het waterdebiet en reinig het filter, indien nodig.

## *Tijdens het reinigen*

Schakel de stroomtoevoer naar de uitrusting uit.

Sluit de waterinlaat- en uitlaatkleppen.

Steek niets in de lucht- of waterinlaat- of uitlaatopeningen.

Spoel de uitrusting niet met water af.

## *Tijdens reparaties*

Voer werkzaamheden aan het koelsysteem uit volgens de geldende veiligheidsvoorschriften.

Hardsolderen moet worden gedaan door een gekwalificeerde lasser.

Gebruik voor het vervangen van een defect koelsysteemonderdeel uitsluitend onderdelen die door onze technische afdeling gecertificeerd zijn.

Voor het vervangen van leidingwerk bij reparaties mogen alleen koperen buizen worden gebruikt die voldoen aan de norm NF EN12735-1.

Bij het uitvoeren van drukproeven om lekkages op te sporen:

Gebruik nooit zuurstof of droge lucht, om brand- of ontploffingsgevaar te vermijden.

Gebruik droge stikstof of een mengsel van stikstof en koelvloeistof.

De proefdruk aan de lage en hoge zijde mag niet meer dan maximaal 42 bar bedragen.

## 1.3 Waterbehandeling

Poolx warmtepompen voor zwembaden kunnen worden gebruikt met alle soorten waterbehandelings-systemen.

Het is niettemin essentieel dat het behandelingssysteem (doseerpompen voor chloor, pH, bromine en/of zoutelektrolyse) na de warmtepomp in het hydraulisch circuit wordt geïnstalleerd.

**Om verslechtering van de warmtepomp te voorkomen moet het pH van het water tussen 6,9 en 8,0 worden gehouden.**

# 2. Beschrijving

## 2.1 Inhoud van de verpakking

- ✓ Warmtepomp Poolex Nano Action
- ✓ 2 hydraulische inlaat-/uitlaataansluitingen 32/38mm diameter
- ✓ Deze installatie- en gebruikershandleiding
- ✓ **4 antitrilrussens**

## 2.2 Algemene eigenschappen

Een Poolex-warmtepomp heeft de volgende kenmerken:

- CE-certificaat en voldoet aan de Europese RoHS-richtlijn.
- Hoge prestaties met maximaal 80% energiebesparing vergeleken met een conventioneel verwarmingssysteem.
- Schone, efficiënte en milieuvriendelijke R32-koelvloeistof.
- Betrouwbare en krachtige compressor van een bekend merk.
- Brede hydrofiele verdamper uit aluminium voor gebruik bij lage temperaturen.
- Gebruiksvriendelijk, intuïtief bedieningspaneel.
- Heavy-duty behuizing met anti-UV-behandeling en eenvoudig te onderhouden.
- Een geruisloos concept.

# 2. Beschrijving

## 2.3 Technische specificaties

		3 kW	4 kW	5 kW
Lucht <sup>(1)</sup> 26°C Water <sup>(2)</sup> 26°C	Verwarmingsvermogen (W)	2800	4 200	5 010
	Stroomverbruik (W)	580	810	990
	<b>COP (prestatiecoëfficiënt)</b>	<b>4,83</b>	<b>5,19</b>	<b>5,03</b>
Lucht <sup>(1)</sup> 15°C Water <sup>(2)</sup> 26°C	Verwarmingsvermogen (W)	2210	3 100	4 030
	Stroomverbruik (W)	540	760	1 000
	<b>COP (prestatiecoëfficiënt)</b>	<b>4,09</b>	<b>4,08</b>	<b>4,03</b>
Stroomvoorziening		220-240V ~ 50Hz		
Maximum vermogen (W)		930	1 200	1 500
Maximum stroom (A)		4,15	5,32	6,65
Bereik verwarmingstemperatuur		15°C ~ 40°C		
Werkbereik		8°C ~ 43°C		
Afmetingen L x B x H (mm)		385 x 400 x 280		
Gewicht (kg)		18	24	26
Verpakkingsafmetingen L x B x H (mm)		415 x 460 x 370		
Gewicht van verpakking (kg)		20	28	30
Geluidsdrukniveau bij 10 m (dBA) <sup>(3)</sup>		<32	<35	<36
Hydraulische aansluiting (mm)		PVC 32 / 38mm		
Warmtewisselaar		PVC-tank en titaan verwarmingsspiraal		
Min. waterdebiet (m <sup>3</sup> /u)		1,3	2	2,5
Type compressor		Roterend		
Koelvloeistof		R32		
Koelvloeistofinhoud (kg)		0,15	0,3	0,35
Aard-opwarmingsvermogen - GWP		675		
Equivalent CO2		0,10	0,203	0,337
Waterdichtheid IP		IPX4		
Drukverlies (mCE)		0,8		
Max. inhoud zwembad (m <sup>3</sup> ) <sup>(4)</sup>		≤21	≤28	≤35
Bedieningspaneel		Scherm met achtergrondverlichting		
Functie		Verwarming		

De technische specificaties van onze warmtepompen zijn uitsluitend gegeven voor informatiedoeleinden. Wij behouden ons het recht voor om zonder voorafgaande kennisgeving wijzigingen aan te brengen.

<sup>1</sup> Omgevingstemperatuur

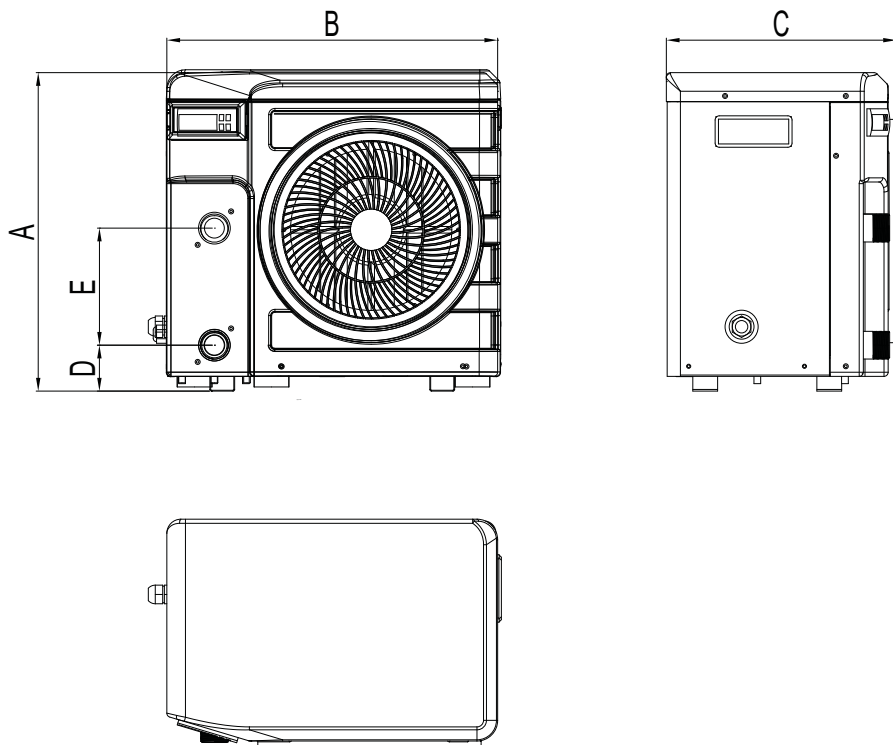
<sup>2</sup> Initiële watertemperatuur

<sup>3</sup> Geluidsniveau op 10 m afstand, conform de richtlijnen EN ISO 3741 en EN ISO 354

<sup>4</sup> Berekend voor een privézwembad in de grond, afgedekt met een noppenzeil.

# 2. Beschrijving

## 2.4 Afmetingen

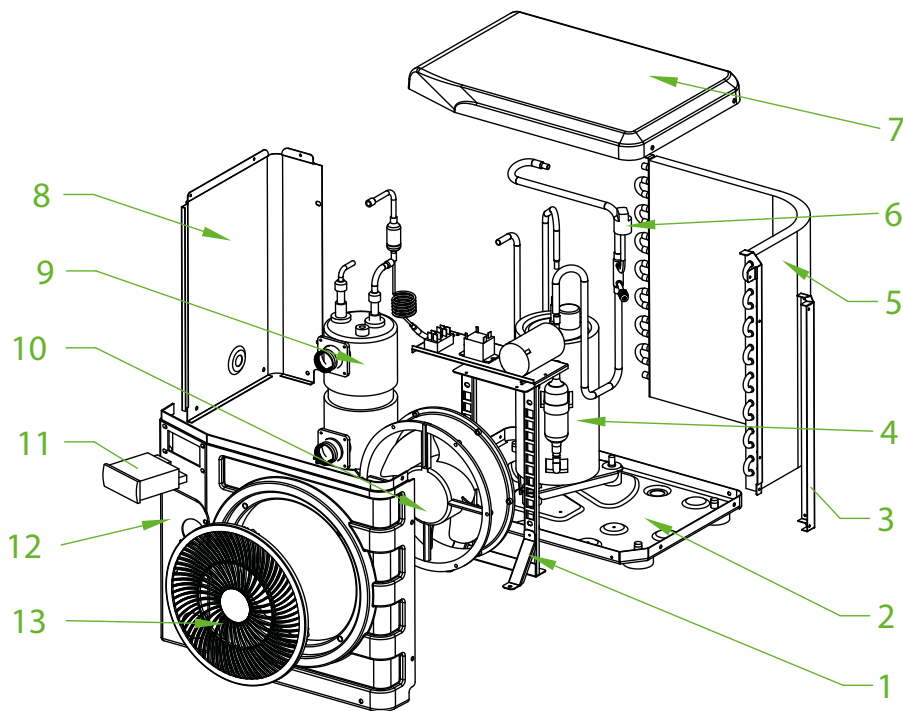


Afmetingen in mm

Nano Action 3 kW / 4 kW / 5 kW	
A	385
B	400
C	280
D	55
E	140

# 2. Beschrijving

## 2.5 Opengewerkte tekening



- |                    |                                 |
|--------------------|---------------------------------|
| 1. Ventilatorsteun | 9. Warmtewisselaar              |
| 2. Voetplaat       | 10. Ventilatormotor             |
| 3. houvast         | 11. Bedieningspaneel            |
| 4. Compressor      | 12. Voorpaneel                  |
| 5. Verdampfer      | 13. Beschermerooster ventilator |
| 6. drukschakelaar  |                                 |
| 7. Bovenpaneel     |                                 |
| 8. Linker paneel   |                                 |

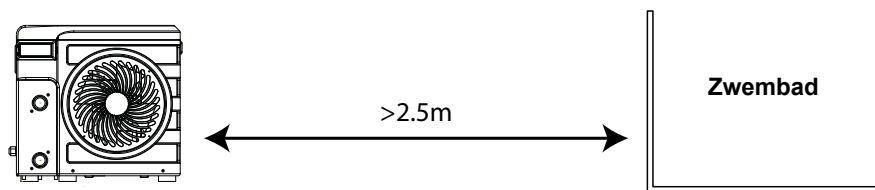
NL

# 3. Installatie

**De warmtepomp is zeer eenvoudig te installeren; stroomvoorziening en water is alles wat nodig is tijdens de installatie.**

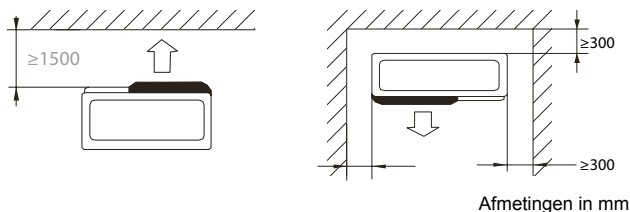
## 3.1 Locatie

De warmtepomp moet minimaal 2,5 meter van het zwembad verwijderd zijn.



**Houd u aan de volgende voorschriften voor uw keuze van de pomplocatie.**

1. De toekomstige locatie van de eenheid moet gemakkelijk bereikbaar zijn voor bediening en onderhoud.
2. De pomp moet op de grond worden geïnstalleerd, bij voorkeur plaatsen op een betonvloer. De vloer moet voldoende stabiel zijn en het gewicht van de installatie kunnen dragen.
3. Controleer of de eenheid goed geventileerd is, of de luchtuitlaatopening niet naar de ramen of naar aangrenzende gebouwen is gericht, en of de uitlaatlucht niet kan circuleren. Zorg bovendien voor voldoende ruimte rond de eenheid voor onderhoudswerkzaamheden.
4. De eenheid mag niet worden geïnstalleerd in een omgeving die is blootgesteld aan olie, brandbare gassen, corrosieve producten, zwavelverbindingen of dichtbij apparatuur met een hoge frequentie.
5. Installeer de eenheid niet dichtbij een weg of pad, om modderspatten te voorkomen.
6. Installeer de eenheid in de richting van een omgeving die het minst lawaaigevoelig is, om overlast voor burens te voorkomen.
7. Houd de eenheid zoveel mogelijk buiten het bereik van kinderen.



**Plaats niets binnen 1,50 meter vóór de warmtepomp.**

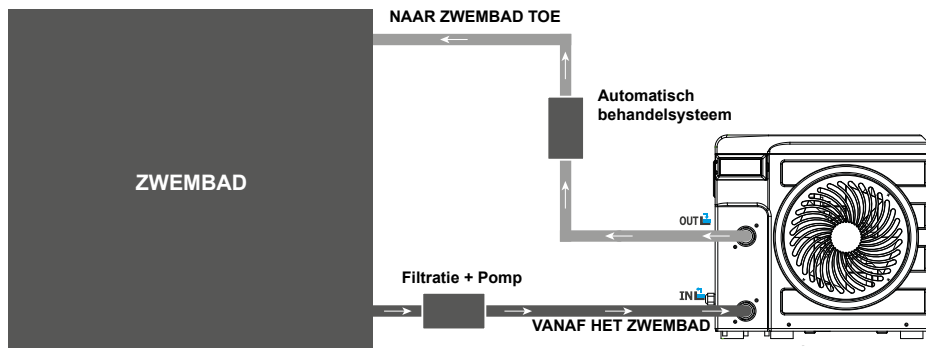
**Laat een vrije ruimte van 30 cm aan de zijkanten en achterzijde van de warmtepomp.**

**Laat geen obstakels toe boven of voor de eenheid!**



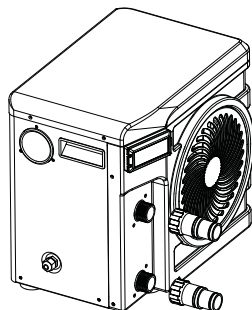
# 3. Installatie

## 3.2 Indeling van installatie

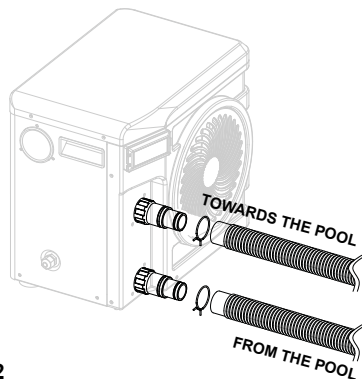


Het filter stroomopwaarts van de warmtepomp moet regelmatig worden gereinigd, zodat het water in het systeem schoon is en problemen in verband met een vervuild of verstopt filter worden voorkomen.

## 3.3 Hydraulische aansluiting



**Stap 1 :**  
Schroef de aansluitingen op de warmtepomp.

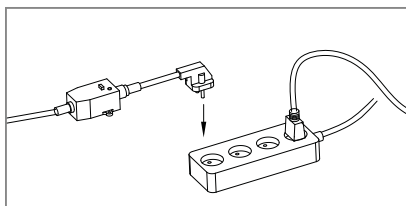


**Stap 2**  
Sluit de wateruitlaatpijp en de waterinlaatpijp aan.

## 3.4 Elektrische aansluiting

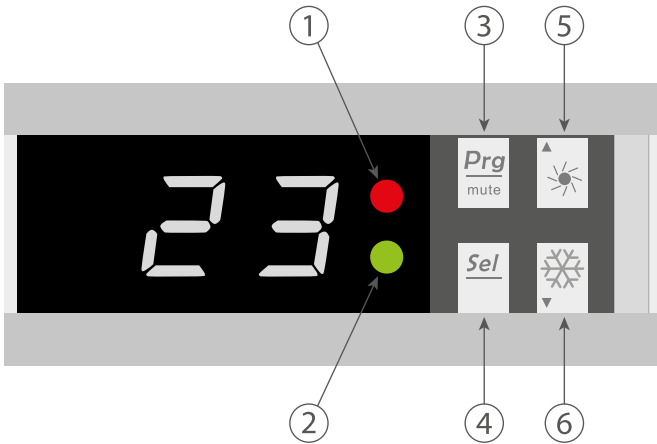
De stekker van de warmtepomp bevat een differentiële stroomonderbreker van 10 mA. Zorg voordat de warmtepomp wordt aangesloten dat de stekker geaard is.

De filterpomp moet tegelijk met de warmtepomp in werking zijn. Beide moeten daarom aangesloten zijn op hetzelfde elektrische circuit.



# 4. Gebruik

## 4.1 Bedieningspaneel



- 1. Power LED
- 2. Defrost LED

- 3. ON/OFF button
- 4. Select button


- 5. Up (+) button
- 6. Down (-) button

# 4. Gebruik

## 4.2 Verwarmingsbedrijf



**WAARSCHUWING:** Controleer alvorens te starten of de filterpomp goed functioneert.

**Stap 1 :** Druk op  om de pomp aan te zetten.

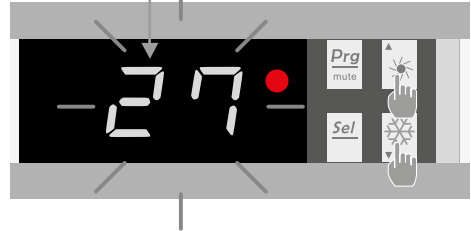
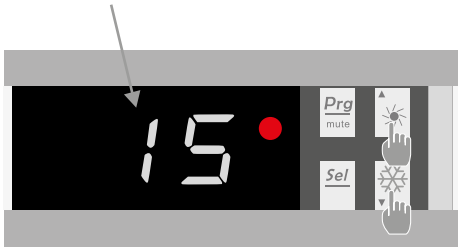
**Stap 2 :** Gebruik de knoppen  en  om de gewenste temperatuur in te stellen.

VOORBEELD:

De huidige temperatuur is 15°C, de ingestelde standaardtemperatuur is 27°, de gewenste temperatuur is 30°C.

*Huidige water-  
temperatuur*

*Gewenste  
temperatuur*



### Nuttige informatie over hoe de verwarmingsmodus werkt

Wanneer de inkomende watertemperatuur lager of gelijk is aan de gewenste temperatuur (setpoint-temperatuur) -X°C, gaat de warmtepomp over op de verwarmingsmodus. De compressor stopt wanneer de temperatuur van het inkomende water hoger of gelijk is aan de gewenste temperatuur (setpoint-temperatuur).

*Indicators voor instelbare X*

X : instelbare parameter van 1° tot 15°C, standaardinstelling is 3°C. (Parameter nr. 6)

# 4. Gebruik

## 4.3 Statuswaarden en geavanceerde instellingen




**WAARSCHUWING:** Deze handeling dient als hulp bij het onderhoud en toekomstige reparaties. De standaardinstellingen mogen slechts door een ervaren professional worden gewijzigd.

De instellingen van het systeem kunnen via de afstandsbediening worden gecontroleerd en aangepast, door deze stappen te volgen


**Stap 1 :** Blijf drukken  totdat u de verificatiemodus voor de instellingen invoert.


**Stap 2 :** Druk op  en  om de parameters te zien.

**Stap 3 :** Druk op  om de instelling die u wilt aanpassen te selecteren.

*NB: sommige instellingen kunnen niet worden gewijzigd. Raadpleeg de tabel met instellingen voor meer informatie.*

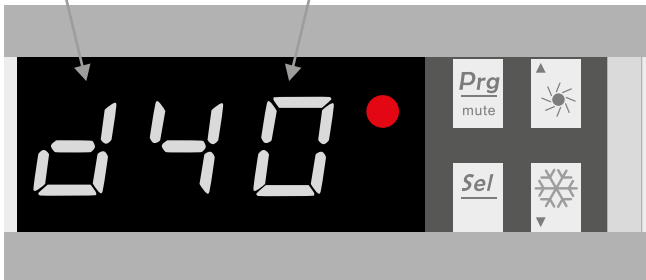
**Stap 4 :** Druk op  en  om de instelling aan te passen.

**Stap 5 :** Druk op  om de nieuwe waarde in te stellen.

**Stap 6 :** Druk op  om terug te gaan naar het hoofdscherm.

Parameter d

Value 40



# 4. Gebruik

Parametertabel

Nr.	Beschrijving	Instelbereik	Instelling af fabriek	Opmerkingen
A	Waterinlaattemperatuur	-19~99°C		Echte data
b	Wateruitlaattemperatuur	-19~99°C		Echte data
c	Omgevingstemperatuur	-19~99°C		Echte data
d	Standaardtemperatuur	15~40°C	27°C	Instelbaar
E	Automatische activeringstijd ontthooing	10~80 min	40 min	Instelbaar
F	Maximale duur ontthooing	10~40 min	30 min	Instelbaar
H	Aanpassing van temperatuurverschil voor herstarten	1~10°C	3°C	Instelbaar
J	Automatisch herstarten	0 = OFF 1 = ON	1	Instelbaar
O	Antivriesbescherming - lage luchttemperatuur	0~15°C	8°C	Instelbaar
P	Verdamper temperatuur om de ontthooimodus in te gaan	-19°C~0°C	-3°C	Verstelbaar
U	Verdamper temperatuur om de ontthooimodus te verlaten	1~30°C	20°C	Verstelbaar
t	Gereserveerd - niet wijzigen			Gereserveerd

# 5. Bediening

## 5.1 Bediening

### *Gebruiksvoorwaarden*


**Om normaal te kunnen functioneren moet de omgevingstemperatuur voor de warmtepomp tussen 8°C en 43°C zijn.**

### *Aanbevelingen vóór opstarten*

Voordat u de warmtepomp opstart moet u het volgende doen:

- ✓ Controleren of de eenheid stabiel is.
- ✓ Controleren of uw elektrische installatie goed functioneert.
- ✓ Controleren of de hydraulische aansluitingen goed vastzitten en of er geen sprake is van water-lekkage.
- ✓ Verwijder alle onnodige voorwerpen of gereedschappen rond de eenheid.

### *Bediening*

1. Sluit de stekker van de eenheid aan.
2. Activeer de circulatiepomp.
3. Activeer de beveiliging van de stroomtoevoer (verschilddrukschakelaar en stroomonderbreker).
4. Activeer de warmtepomp door één keer te drukken op .
5. Selecteer de gewenste temperatuur.
6. De compressor van de warmtepomp start kort daarna.

Vervolgens hoeft u slechts te wachten totdat de gewenste temperatuur is bereikt.



**WAARSCHUWING:** In normale omstandigheden kan de warmtepomp het water in een zwembad met 1°C tot 2°C per dag verwarmen. Het is daarom normaal om geen temperatuurverschil te kunnen voelen terwijl de warmtepomp in bedrijf is. Een verwarmd zwembad moet worden afgedekt om warmteverlies te voorkomen.

# 6. Onderhoud en service

## 6.1 Onderhoud, service en winteropslag



**WAARSCHUWING: Koppel de eenheid los van de stroomvoorziening voordat u onderhoudswerkzaamheden aan de eenheid uitvoert.**

### Reiniging

De behuizing van de warmtepomp moet met een vochtige doek worden gereinigd. Het gebruik van oplosmiddelen of andere huishoudelijke producten kan het oppervlak van de behuizing potentieel beschadigen en de eigenschappen ervan aantasten.

De verdampers aan de achterzijde van de warmtepomp moet zorgvuldig worden gereinigd met een stofzuiger waaraan een zachte borstel is bevestigd.

### Jaarlijks onderhoud

De volgende handelingen moet jaarlijks door een gekwalificeerde persoon worden verricht.

- ✓ Uitvoeren van veiligheidscontroles.
- ✓ De integriteit van de elektrische bedrading controleren.
- ✓ De aardaansluitingen controleren.
- ✓ De toestand van de manometer en de aanwezigheid van koelvloeistof controleren.

### Winteropslag

Uw warmtepomp is ontworpen voor gebruik in regenachtig weer en is bestand tegen vorst dankzij een speciaal ontworpen techniek tegen bevroering. Wij raden echter af om de pomp langdurig buiten te laten staan (bijv. de hele winter). Nadat het zwembad voor de winter is geleegd, moet de warmtepomp op een droge plaats worden opgeslagen.

# 7. Reparaties

**WAARSCHUWING:** In normale omstandigheden kan de warmtepomp het water in een zwembad met 1°C tot 2°C per dag verwarmen. Het is daarom normaal om geen temperatuurverschil te kunnen voelen terwijl de warmtepomp in bedrijf is. Een verwarmd zwembad moet worden afgedekt om warmteverlies te voorkomen.

## 7.1 Storingen en defecten

In het geval van een probleem geeft het scherm van de warmtepomp een foutcode weer in plaats van temperatuurindicaties. Raadpleeg de onderstaande tabel om te zoeken naar de oorzaken van de storing en correctiemaatregelen.

Code	Storing	Mogelijke oorzaken	Actie
P1	Waterinlaattemperatuursensor werkt niet	Sensor niet goed aangesloten	Sluit sensor opnieuw aan
		Sensor is defect	Vervang sensor
		Bedieningspaneel defect	Vervang bedieningspaneel
P3	Verdampertemperatuursensor werkt niet	Dezelfde oorzaken als onder P1	Dezelfde acties als onder P1
P5	Externe temperatuursensor werkt niet		
P7	Antivriesbescherming	Bescherming geactiveerd wegens te lage omgevingstemperatuur.	Geen interventie nodig
E6	Lagedrukbeveiliging	Onvoldoende koelvloeistof	Pas de hoeveelheid koelvloeistof aan
		Drukschakelaar niet aangesloten of defect	De drukschakelaar aansluiten of vervangen
		Bedieningspaneel defect	Vervang bedieningspaneel
	De warmtepomp werkt niet	Onvoldoende water in warmtewisselaar	Controleer werking van het watercircuit
		Bedieningspaneel defect	Vervang bedieningspaneel



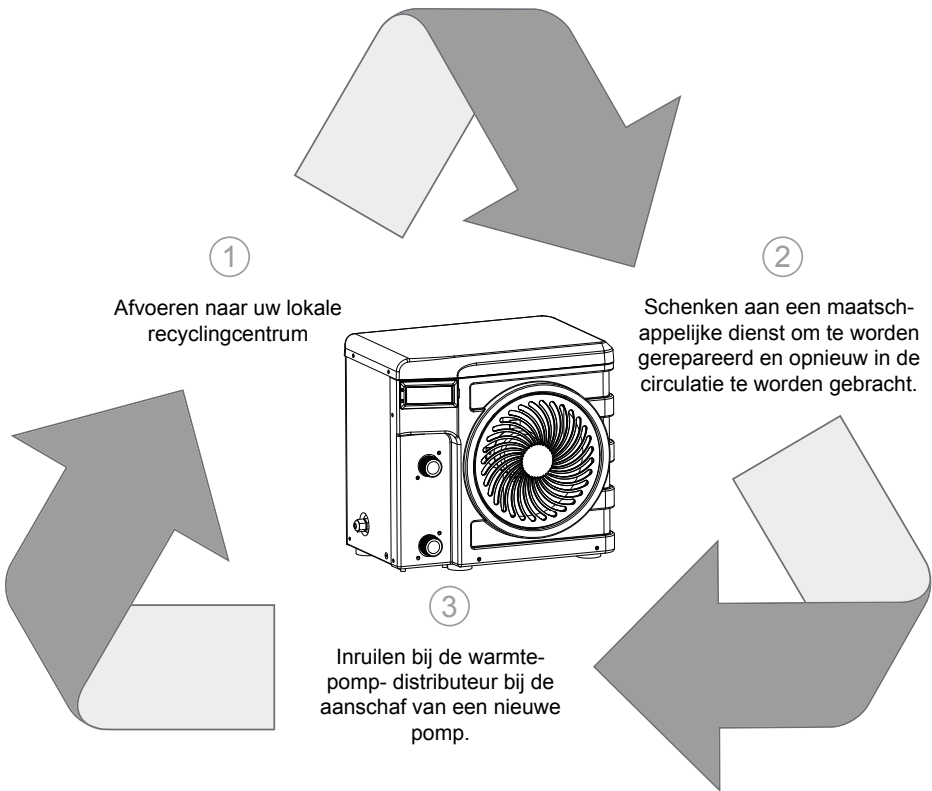
# 8. Recyclen

## 8.1 De warmtepomp recyclen

Uw warmtepomp heeft het einde van zijn levensduur bereikt en u wenst de pomp te verwijderen of te vervangen. Doe uw pomp niet bij het huishoudelijk afval.

Een warmtepomp moet afzonderlijk worden afgevoerd met het oog op hergebruik, recyclen of opwaar-deren. De pomp bevat stoffen die potentieel milieugevaarlijk zijn, maar die worden verwijderd of geneutraliseerd tijdens het recyclen.

**U HEEFT DRIE MOGELIJKE OPLOSSINGEN:**



# 9. Garantie

## 9.1 Algemene garantievoorwaarden

De Poolstar Company biedt de oorspronkelijke eigenaar op de Poolex Nano Action warmtepomp twee (2) jaar garantie tegen materiaalgebreken en fabricagefouten.

De compressor is gegarandeerd voor een periode van vijf (5) jaar.

De titaan buizenwarmtewisselaar heeft een garantie van tien (10) jaar tegen chemische corrosie, maar de garantie geldt niet in het geval van schade door bevrozing.

De overige onderdelen van de condensor zijn gegarandeerd voor een periode van twee (2) jaar.

De garantie gaat in op de datum van de eerste factuur.

De garantie is niet van toepassing in de volgende gevallen:

- Defect of schade als gevolg van installatie, gebruik of reparatie die niet in overeenstemming is met de veiligheidsinstructies.
- Defect of schade als gevolg van een chemisch middel dat ongeschikt is voor het zwembad.
- Defect of schade als gevolg van omstandigheden die niet overeenkomen met het bedoelde gebruik van de uitrusting.
- Schade als gevolg van nalatigheid, ongelukken of overmacht.
- Defect of schade als gevolg van het gebruik van ongeautoriseerde accessoires.

Reparaties tijdens de garantieperiode moeten worden goedgekeurd voordat deze door een bevoegde monteur worden uitgevoerd. De garantie komt te vervallen als de reparatie van de uitrusting wordt uitgevoerd door een persoon die niet door Poolstar wordt erkend.

De gegarandeerde onderdelen moeten naar het eigen oordeel van Poolstar worden vervangen of gerepareerd. Gedurende de garantieperiode moeten defecte onderdelen naar onze werkplaatsen worden geretourneerd. De garantie dekt geen arbeidskosten of ongeautoriseerde vervangingsonderdelen. De retourzending van het defecte onderdeel wordt niet door de garantie gedekt.

Geachte heer/mevrouw,

**Neem enkele minuten de tijd om de garantiekaart in te vullen die u kunt vinden op onze website:**

**<http://support.poolex.nl/>**

Dank u voor uw vertrouwen in onze producten.

We hopen dat u zult genieten van uw zwembad!

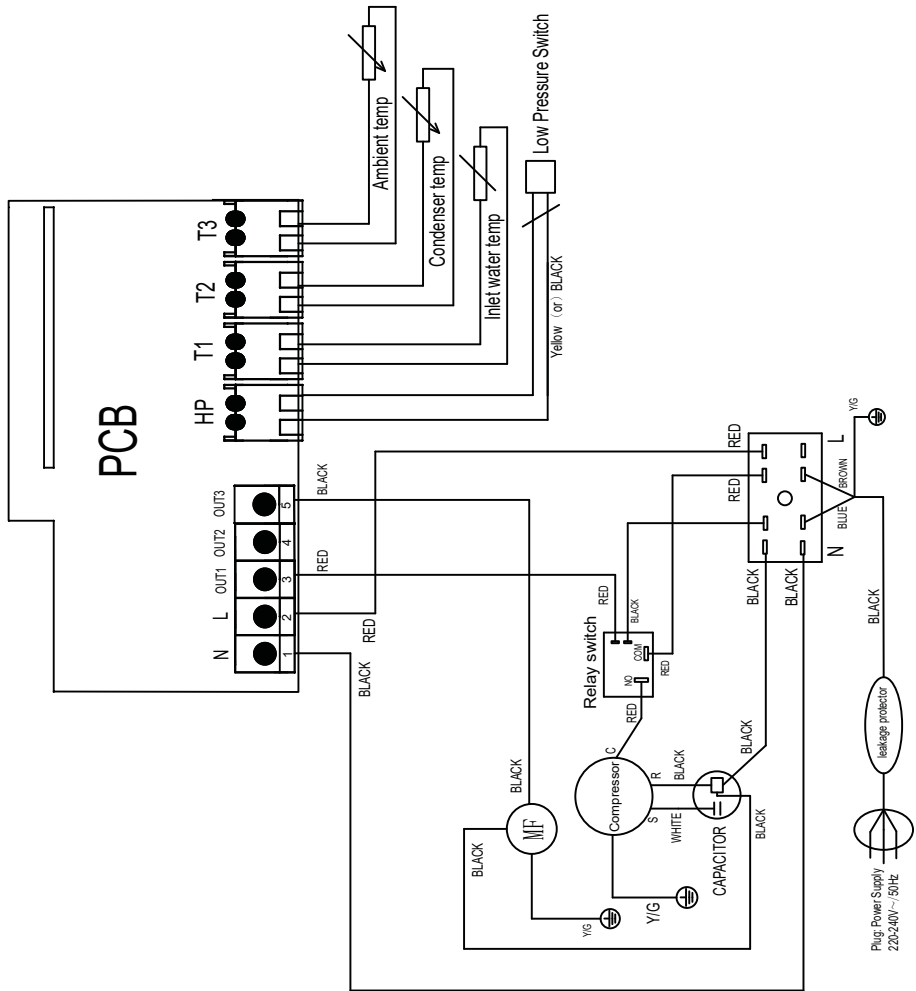
Uw gegevens zullen worden behandeld overeenkomstig met de Franse wet op de persoonsgegevens van 6 januari 1978 en worden niet aan derden doorgegeven.

### WAARSCHUWING:

**De contractuele garantie kan niet door de installateur of door Poolstar worden geverifieerd tenzij uw product op onze website is geregistreerd.**

# A. Bijlage

## A.1 Bedradingschema



# **POOLEX**

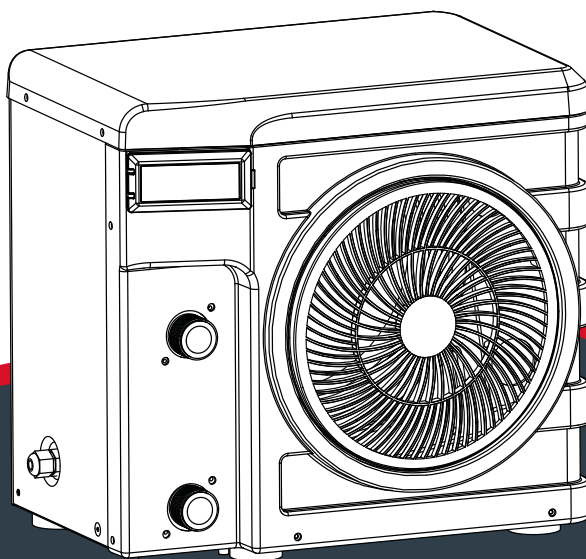





TECHNICAL ASSISTANCE  
TECHNISCHE HILFE  
TECHNISCHE ASSISTENTIE

**[www.poolex.fr](http://www.poolex.fr)**

**POOLEX**

**NANO ACTION**



-  Manuel d'installation et d'utilisation
-  Manual de usuario y instalación
-  Manuale d'installazione e d'uso

# Avertissements



**Cette pompe à chaleur contient un Gaz frigorigène R32 inflammable.**

**Toute intervention sur le circuit frigorigène est interdite sans une habilitation en cours de validité.**

Avant toute intervention sur le circuit frigorigène, les précautions suivantes sont nécessaires pour un travail en toute sécurité.

## **1. Procédure de travail**

Les travaux doivent être effectués selon une procédure contrôlée, de manière à minimiser les risques de présence de gaz ou de vapeurs inflammables pendant l'exécution des travaux.

## **2. Zone de travail générale**

L'ensemble des personnes se trouvant dans la zone doivent être informées de la nature des travaux en cours. Évitez d'intervenir dans une zone confinée. La zone autour de l'espace de travail doit être divisée, sécurisée et une attention particulière doit être portée aux sources de flamme ou de chaleur à proximité.

## **3. Vérification de la présence de réfrigérant**

La zone doit être vérifiée avec un détecteur de réfrigérant approprié avant et pendant le travail, afin de s'assurer de l'absence de gaz potentiellement inflammable. Assurez-vous que l'équipement de détection des fuites utilisé convient aux réfrigérants inflammables, c'est-à-dire qu'il ne produit pas d'étincelles, est correctement scellé ou présente une sécurité interne.

## **4. Présence d'extincteur**

Si des travaux à chaud doivent être effectués sur l'équipement de réfrigération ou sur toute pièce associée, un équipement d'extinction d'incendie approprié doit être disponible. Installez un extincteur à poudre sèche ou à CO<sub>2</sub> près de la zone de travail.

## **5. Aucune source de flamme, de chaleur ou d'étincelle**

Il est totalement interdit d'utiliser une source de chaleur, de flamme ou d'étincelle à proximité directe d'une ou plusieurs pièces ou tuyauteries contenant ou ayant contenu un réfrigérant inflammable. Toutes les sources d'étincelle, y compris le tabagisme, doivent être suffisamment éloignés du lieu d'installation, de réparation, d'enlèvement et de mise au rebut, au cours desquelles un réfrigérant inflammable peut éventuellement être rejeté dans l'espace environnant. Avant le début des travaux, il convient de contrôler l'environnement du matériel afin de s'assurer qu'il n'y a aucun risque d'inflammabilité. Les panneaux «Interdiction de fumer» doivent être affichés.

## **6. Zone ventilée**

Assurez-vous que la zone est à l'air libre ou qu'elle est correctement ventilée avant d'intervenir dans le système ou d'effectuer des travaux à chaud. Une certaine ventilation doit être maintenue pendant la durée des travaux.

## **7. Contrôles des équipements de réfrigération**

Lorsque des composants électriques sont remplacés, ils doivent être adaptés à l'usage prévu et aux spécifications appropriées. Seules les pièces du fabricant peuvent être utilisées. En cas de doute, consultez le service technique du fabricant.

Les contrôles suivants doivent être appliqués aux installations utilisant des réfrigérants inflammables:

– La taille de la charge est conforme à la taille de la pièce dans laquelle les pièces contenant le réfrigérant sont installées;

– Les ventilations et les bouches d'aération fonctionnent correctement et ne sont pas obstruées;

– Si un circuit de réfrigération indirect est utilisé, le circuit secondaire doit être vérifié également.

– Le marquage sur l'équipement reste visible et lisible. Les marques et signes illisibles doivent être corrigés;

– Les tuyaux ou composants de réfrigération sont installés dans une position où ils ne risquent pas d'être exposés à une substance susceptible de corroder les composants contenant du fluide frigorigène

## **8. Vérifications des appareils électriques**

La réparation et la maintenance des composants électriques doivent inclure les contrôles de sécurité initiaux et les procédures d'inspection des composants. S'il existe un défaut susceptible de compromettre la sécurité, aucune alimentation électrique ne doit être connectée au circuit jusqu'à ce que le problème soit résolu.

## **9. Les contrôles de sécurité initiaux doivent inclure:**

• Que les condensateurs soient déchargés: ceci doit être fait de manière sûre pour éviter la possibilité d'étincelles;

• Qu'aucun composant électrique ni câblage ne sont exposés lors du chargement, de la récupération ou de la purge du système de gaz réfrigérant;

• Qu'il existe une continuité de la mise à la terre.

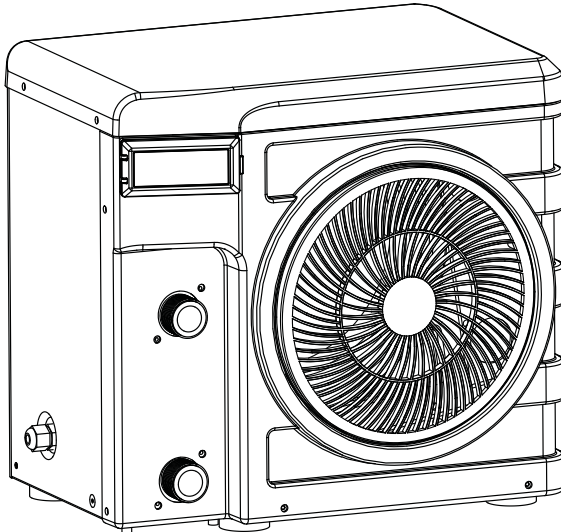
# Remerciements

*Cher client,*

*Nous vous remercions pour votre achat et pour la confiance que vous accordez à nos produits.*

*Nos produits sont le résultat d'années de recherche dans le domaine de la conception et de la production de pompe à chaleur pour piscine. Notre ambition, vous fournir un produit de qualité aux performances hors normes.*

*Nous avons réalisé ce manuel avec le plus grand soin afin que vous puissiez tirer le meilleur de votre pompe à chaleur Poolex.*





# À LIRE ATTENTIVEMENT



**Ces instructions d'installation font partie intégrante du produit.  
Elles doivent être remises à l'installateur et conservées par l'utilisateur.**

**En cas de perte du manuel, veuillez vous référer au site :**

**[www.poolex.fr](http://www.poolex.fr)**

Les indications et avertissements contenus dans le présent manuel doivent être lus avec attention et compris car ils fournissent d'importantes informations concernant la manipulation et le fonctionnement de la pompe à chaleur en toute sécurité. **Conservez ce manuel dans un endroit accessible afin de faciliter les futures consultations.**

**L'installation doit être effectuée par un professionnel qualifié** conformément aux réglementations en vigueur et aux instructions du fabricant. Une erreur d'installation peut entraîner des blessures physiques aux personnes ou aux animaux ainsi que des dommages mécaniques pour lesquels le fabricant ne peut en aucun cas être tenu responsable.

**Après avoir déballé la pompe à chaleur, veuillez vérifier le contenu afin de signaler tout dommage éventuel.**

Avant de brancher la pompe à chaleur, assurez-vous que les données fournies par ce manuel sont compatibles avec les conditions d'installation réelles et ne dépassent pas les limites maximales autorisées pour le produit en question.

**En cas de défaut et/ou de dysfonctionnement de la pompe à chaleur, l'alimentation électrique doit être coupée** et aucune tentative de réparation de la panne ne doit être entreprise. Les travaux de réparation ne doivent être effectués que par un service d'assistance technique agréé en utilisant des pièces détachées originales. Le non-respect des clauses précitées peut avoir une influence négative sur le fonctionnement en toute sécurité de la pompe à chaleur.

Pour garantir l'efficacité et le bon fonctionnement de la pompe à chaleur, il est important de veiller à ce qu'elle soit régulièrement entretenue conformément aux instructions fournies.

Dans le cas où la pompe à chaleur est vendue ou cédée, veuillez toujours à ce que toute la documentation technique soit transmise avec le matériel au nouveau propriétaire.

Cette pompe à chaleur est exclusivement conçue pour chauffer une piscine. Toutes les autres utilisations doivent être considérées comme inappropriées, incorrectes, voire dangereuses.

Toutes les responsabilités contractuelles ou extra contractuelles du fabriquant / distributeur seront considérées comme nulles et non avenues pour les dommages causés par des erreurs d'installation ou de fonctionnement, ou pour cause de non-respect des instructions fournies par ce manuel ou des normes d'installation en vigueur pour l'équipement, objet du présent document.



# Sommaire

FR

<b>1. Généralité</b> .....	<b>4</b>
1.1 Conditions générales de livraison .....	4
1.2 Consignes de sécurité .....	4
1.3 Traitement des eaux .....	5
<b>2. Description</b> .....	<b>6</b>
2.1 Contenu du colis .....	6
2.2 Caractéristiques générales .....	6
2.3 Caractéristiques techniques .....	7
2.4 Dimensions de l'appareil .....	8
2.5 Vue éclatée .....	9
<b>3. Installation</b> .....	<b>10</b>
3.1 Emplacement .....	10
3.2 Schéma classique d'installation .....	11
3.3 Raccordement hydraulique .....	11
3.4 Raccordement électrique .....	11
<b>4. Utilisation</b> .....	<b>12</b>
4.1 Panneau de contrôle .....	12
4.2 Mode Chauffage .....	13
4.3 Valeurs d'état et paramètres avancées .....	14
<b>5. Mise en service</b> .....	<b>16</b>
5.1 Mise en service .....	16
<b>6. Maintenance et entretien</b> .....	<b>17</b>
6.1 Maintenance, entretien et hivernage .....	17
<b>7. Dépannage</b> .....	<b>18</b>
7.1 Pannes et anomalies .....	18
<b>8. Recyclage</b> .....	<b>19</b>
8.1 Recyclage de la pompe à chaleur .....	19
<b>9. Garantie</b> .....	<b>20</b>
9.1 Conditions générales de garantie .....	20
<b>A. Annexes</b> .....	<b>A</b>
A.1 Schémas de câblage de la carte électronique .....	A

# 1. Généralité

## 1.1 Conditions générales de livraison

Tout matériel, même franco de port et d'emballage, voyage aux risques et périls de son destinataire.

La personne chargée de la réception de l'appareil doit effectuer un contrôle visuel pour constater tout dommage éventuel subi par la pompe à chaleur durant le transport (circuit frigorifique, carrosserie, armoire électrique, châssis). Celui-ci doit faire des réserves écrites sur le bordereau de livraison du transporteur s'il constate des dommages provoqués au cours du transport et les confirmer sous 48 heures par courrier recommandé au transporteur.



L'appareil doit toujours être stocké et transporté en position verticale sur une palette et dans l'emballage d'origine. Si l'appareil est entreposé ou transporté en position horizontale, attendez au moins 24 heures avant de le brancher.

## 1.2 Consignes de sécurité



**ATTENTION : Veuillez lire attentivement les consignes de sécurité avant d'utiliser l'appareil. Les consignes indiquées ci-après étant essentielles pour la sécurité, veuillez les respecter rigoureusement.**

### *Lors de l'installation et de l'entretien*

Seule une personne qualifiée peut prendre en main l'installation, la mise en marche, l'entretien et le dépannage, conformément au respect des normes actuelles.

Avant toutes interventions sur l'appareil (installation, mise en service, utilisation, entretien), la personne chargée de ces interventions devra connaître toutes les instructions présentées dans la notice d'installation de la pompe à chaleur ainsi que les éléments techniques du dossier.

N'installez en aucun cas l'appareil à proximité d'une source de chaleur, de matériaux combustibles, ou d'une bouche de reprise d'air de bâtiment.

Si l'installation n'est pas située dans un lieu avec accès réglementé, la grille de protection pour pompe à chaleur est obligatoire.

Ne pas marcher sur la tuyauterie pendant l'installation, le dépannage et la maintenance, sous peine de graves brûlures.

Avant toute intervention sur le circuit frigorifique, arrêter la pompe à chaleur et attendre quelques minutes avant la pose de capteurs de température ou de pressions, sous peine de graves brûlures.

Contrôler le niveau du fluide frigorigène lors de l'entretien de la pompe à chaleur.

Vérifier que les pressostats haute et basse pression sont raccordés correctement sur le circuit frigorifique et qu'ils coupent le circuit électrique en cas de déclenchement, durant le contrôle annuel d'étanchéité de l'appareil.

Vérifier qu'il n'y a pas de trace de corrosion ou de tache d'huile autour des composants frigorigènes.

# 1. Généralité

## *Lors de l'utilisation*

Ne jamais toucher au ventilateur en état de marche sous peine de graves blessures.

Ne pas laisser la pompe à chaleur à la portée des enfants, sous peine de graves blessures causées par les ailettes de l'échangeur de chaleur.

Ne jamais mettre l'unité en état de marche en l'absence d'eau dans la piscine ou si la pompe de circulation est à l'arrêt.

Vérifier le débit d'eau tous les mois et nettoyer le filtre si nécessaire.

## *Lors du nettoyage*

Couper l'alimentation électrique de l'appareil.

Fermer les vannes d'arrivée et de sortie d'eau.

Ne rien introduire dans les bouches d'entrée et de sortie d'air ou d'eau.

Ne pas rincer l'appareil à grande eau.

## *Lors du dépannage*

Réaliser les interventions sur le circuit frigorifique selon les règles de sécurité en vigueur.

Faire réaliser l'intervention de brasage par un soudeur qualifié.

En cas de remplacement d'un composant frigorifique défectueux, utiliser uniquement des pièces certifiées par notre centre technique.

En cas de remplacement de tuyauterie, seul les tubes en cuivre conformes à la norme NF EN12735-1 peuvent être utilisés pour le dépannage.

Pour détecter les fuites, lors des tests sous pression :

Ne jamais utiliser d'oxygène ou air sec, risques d'incendie ou d'explosion.

Utiliser de l'azote déshydratée ou un mélange d'azote et de réfrigérant.

La pression du test coté basse et haute pression ne doit pas excéder 42 bars.

## 1.3 Traitement des eaux

Les pompes à chaleur pour piscines Poolex peuvent être utilisées avec tous types de traitement de l'eau.

Cependant, il est impératif que le système de traitement (pompes doseuses Cl, pH, Br et/ou électrolyseur) soit installé après la pompe à chaleur dans le circuit hydraulique.

**Pour éviter toute détérioration de la pompe à chaleur, le pH de l'eau doit être maintenu entre 6,9 et 8,0.**

# 2. Description

## 2.1 Contenu du colis

- ✓ La pompe à chaleur Poolex Nano Action R32
- ✓ 2 raccords hydrauliques entrée / sortie de 32/38mm de diamètre
- ✓ Ce manuel d'installation et d'utilisation
- ✓ **4 Patins anti-vibrations**

## 2.2 Caractéristiques générales

Une pompe à chaleur Poolex c'est avant tout :

- Un dispositif certifié CE et conforme à la directive européenne RoHS.
- Un haut rendement permettant d'économiser jusqu'à 80% d'énergie par rapport à un système de chauffage classique.
- Un fluide frigorigène écologique R32 propre et efficace.
- Un compresseur de grande marque, fiable et performant.
- Un large évaporateur en aluminium hydrophile pour une utilisation à basse température.
- Un panneau de commande intuitif, facile d'utilisation.
- Un boîtier ultra résistante, traitée anti-UV et facile à entretenir.
- Une conception silencieuse.

# 2. Description

## 2.3 Caractéristiques techniques

FR

		3 kW	4kW	5kW
Air <sup>(1)</sup> 26°C Eau <sup>(2)</sup> 26°C	Puissance de chauffage (W)	3 010	4 200	5 010
	Consommation (W)	540	760	910
	<b>COP (Coeff. de performance)</b>	<b>5,61</b>	<b>5,50</b>	<b>5,50</b>
Air <sup>(1)</sup> 15°C Eau <sup>(2)</sup> 26°C	Puissance de chauffage (W)	2 210	3 100	4 030
	Consommation (W)	540	760	1 000
	<b>COP (Coeff. de performance)</b>	<b>4,09</b>	<b>4,08</b>	<b>4,03</b>
Alimentation	220-240V ~ 50Hz			
Puissance maximale (W)	930	1 200	1 500	
Courant maximal (A)	4,15	5,32	6,65	
Plage de température de chauffage	15°C ~ 40°C			
Plage de fonctionnement	8°C ~ 43°C			
Dimensions de l'appareil L×P×H (mm)	385 x 400 x 280			
Poids de l'appareil (kg)	18	24	26	
Dimensions du packaging L×P×H (mm)	415 x 460 x 370			
Poids du packaging (kg)	20	28	30	
Niveau de pression sonore à 10m (dBA) <sup>(3)</sup>	<32	<35	<36	
Raccordement hydraulique (mm)	PVC 32 / 38mm			
Échangeur de chaleur	Cuve PVC et Serpentin Titane			
Débit d'eau min. (m <sup>3</sup> /h)	1,3	2	2,5	
Type de compresseur	Rotatif			
Réfrigérant	R32			
GWP	675			
Réfrigérant chargée (kg)	0,15	0,3	0,35	
Équivalent CO2	0,10	0,203	0,337	
Indice d'étanchéité	IPX4			
Perte de charge (mCE)	0,8			
Volume max. de la piscine (m <sup>3</sup> ) <sup>(4)</sup>	≤21	≤28	≤35	
Panneau de contrôle	Écran de contrôle rétro-éclairé			
Mode	Chauffage			

Les caractéristiques techniques de nos pompes à chaleur sont données à titre indicatif, nous nous réservons le droit de modifier ces données sans préavis.

<sup>1</sup> Température ambiante de l'air

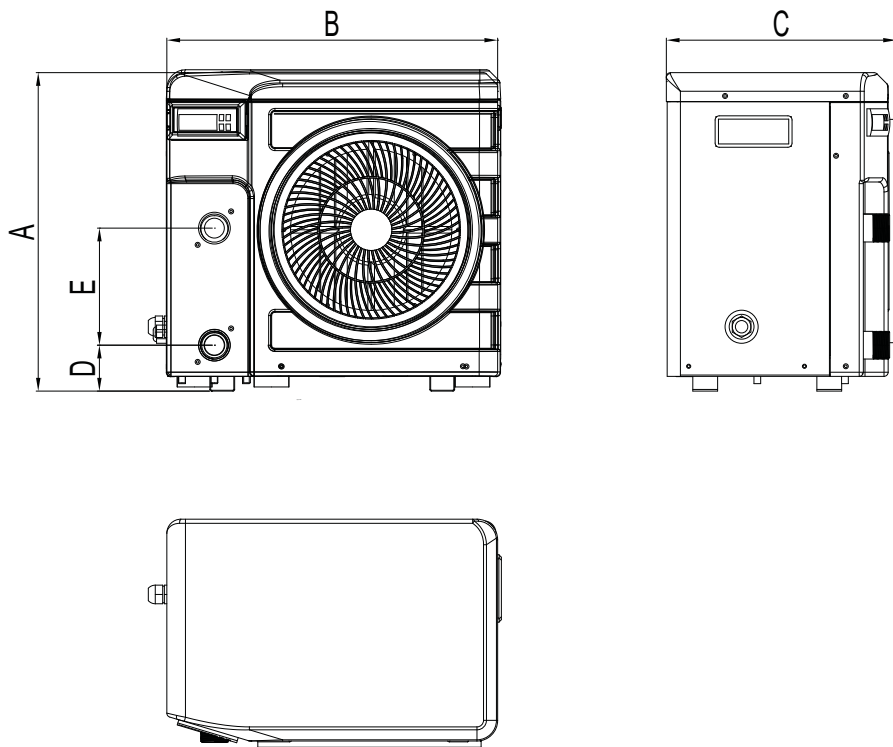
<sup>2</sup> Température initiale de l'eau

<sup>3</sup> Bruit à 10 m selon les directives EN ISO 3741 et EN ISO 354

<sup>4</sup> Calculé pour une piscine privée recouverte d'une bâche à bulle.

## 2. Description

### 2.4 Dimensions de l'appareil



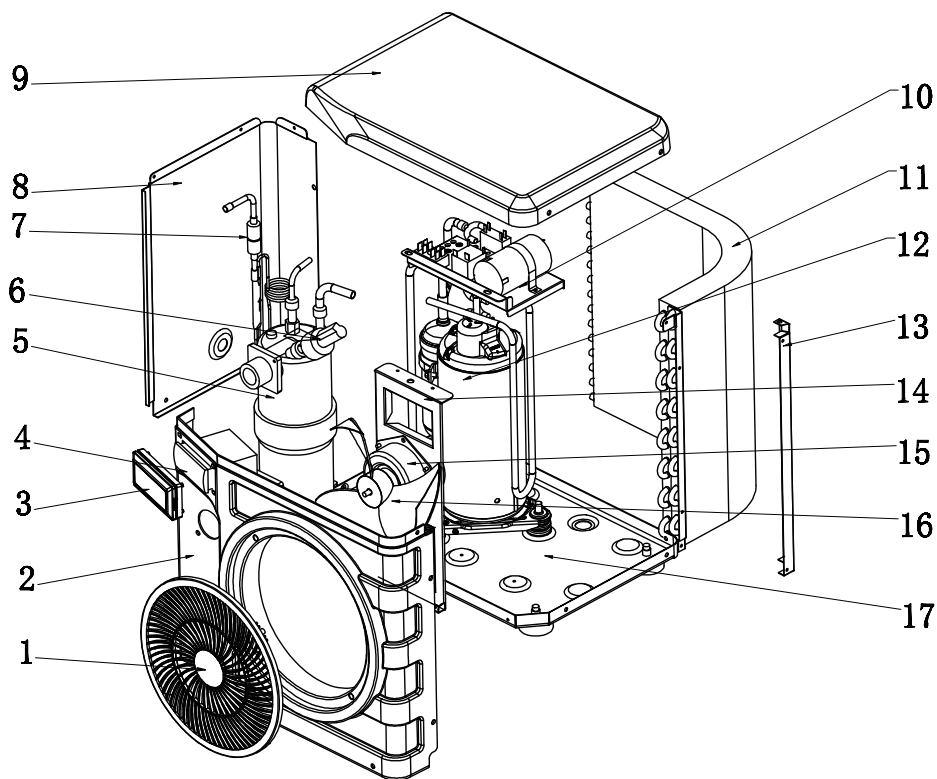
Dimensions en mm

Nano Action 3 kW / 4 kW / 5kW	
A	385
B	400
C	280
D	52
E	140

## 2. Description

### 2.5 Vue éclatée

FR



1. Grille de protection ventilateur
2. Panneau avant
3. Panneau de contrôle
4. Panneau de contrôle
5. Échangeur de chaleur
6. Capteur de débit
7. Détendeur
8. Panneau gauche
9. Panneau supérieur

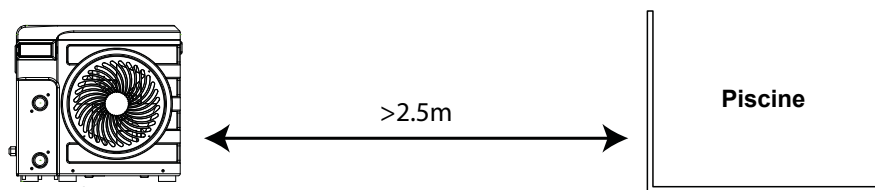
10. Boîtier de commande électrique
11. Évaporateur
12. Compresseur
13. Cadre de montage
14. Support du ventilateur
15. Moteur du ventilateur
16. Hélice du ventilateur
17. Châssis

# 3. Installation

**La pompe à chaleur est très facile à installer, et ne nécessite que le raccord au circuit hydraulique et une alimentation électrique.**

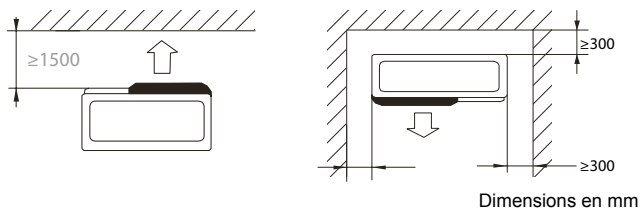
## 3.1 Emplacement

La pompe à chaleur doit être placée à au moins 2,5 mètres du bassin.



**Veillez respecter les règles suivantes pour le choix de l'emplacement de la pompe à chaleur**

1. Le futur emplacement de l'appareil doit être facile d'accès pour une utilisation et une maintenance aisée.
2. L'appareil doit être installé au sol, idéalement posé sur un plancher béton de niveau. Assurez-vous que le plancher soit suffisamment stable et qu'il puisse supporter le poids de l'appareil.
3. Vérifiez que l'appareil est correctement aéré, que la bouche de sortie d'air n'est pas orientée vers les fenêtres d'immeubles voisins et qu'aucun retour de l'air vicié n'est possible. De plus, prévoyez un espace suffisant autour de l'appareil pour les opérations d'entretien et de maintenance.
4. L'appareil ne doit pas être installé dans un endroit exposé à l'huile, à des gaz inflammables, des produits corrosifs, des composés sulfureux ou à proximité d'équipements haute fréquence.
5. N'installez pas l'appareil à proximité d'une route ou d'un chemin pour éviter les éclaboussures de boue.
6. Pour prévenir les nuisances de voisinage, veillez à installer l'appareil de sorte qu'il soit orienté vers la zone la moins sensible au bruit.
7. Conservez, autant que possible, l'appareil hors de portée des enfants.



**Ne rien mettre à moins de 1,50 m devant la pompe à chaleur.**

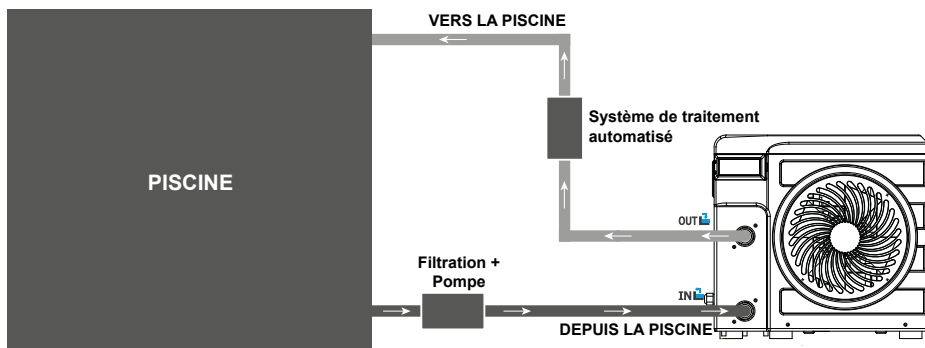
**Laissez au moins 30 cm d'espace vide sur les côtés et à l'arrière de la pompe à chaleur.**

**Ne laissez aucun obstacle au-dessus ou devant l'appareil !**



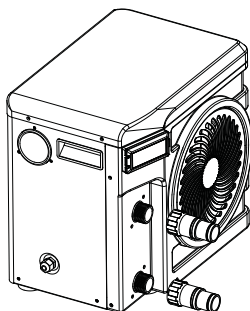
# 3. Installation

## 3.2 Schéma d'installation



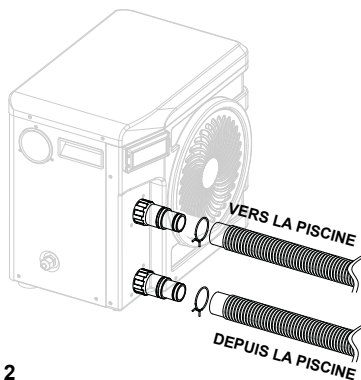
Le filtre situé en amont de la pompe à chaleur doit être nettoyé régulièrement pour que l'eau du circuit soit propre et ainsi éviter les problèmes de fonctionnement liés à la saleté ou au colmatage du filtre.

## 3.3 Raccordement hydraulique



### Étape 1

Visser les raccords sur la pompe à chaleur



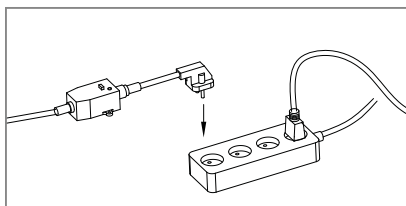
### Étape 2

Raccorder les tuyaux d'entrée et sortie d'eau

## 3.4 Raccordement électrique

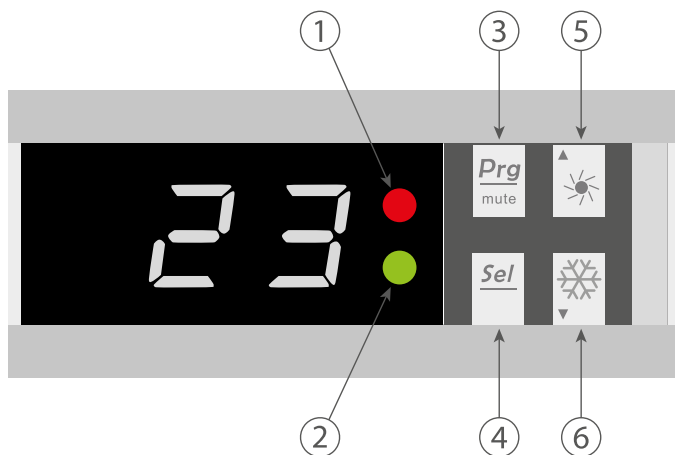
La prise électrique de la pompe à chaleur intègre un disjoncteur différentiel de 10mA. Avant de brancher votre pompe à chaleur, assurez-vous que la prise électrique est bien raccordée à la terre.

La pompe de filtration doit fonctionner en même temps que la pompe à chaleur. Par conséquent, connectez-les au même circuit électrique.



# 4. Utilisation

## 4.1 Panneau de contrôle



- 1. Voyant ON/OFF
- 2. Voyant dégivrage

- 3. ON/OFF
- 4. Selection


- 5. Haut (+)
- 6. Bas (-)

# 4. Utilisation

## 4.2 Mode Chauffage



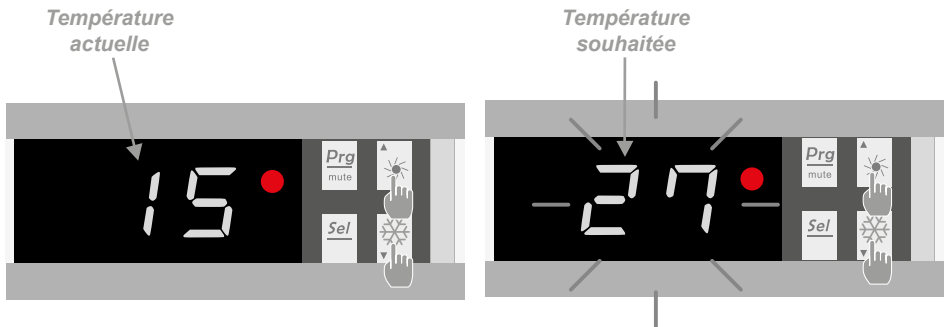
**ATTENTION** : Avant de commencer, assurez-vous que la pompe de filtration fonctionne correctement.

**Étape 1** : Appuyez sur  pour mettre votre pompe en marche.

**Étape 2** : À l'aide des touches  et  sélectionnez la température souhaitée.

EXEMPLE :

Si la température actuelle est de 15°C, la valeur par défaut est de 27° et la température souhaitée est 30°C.



### Bon à savoir sur le fonctionnement du mode chauffage

Lorsque la température de l'eau entrante est inférieure ou égale à la température demandée (temp. de consigne) -X°C, la pompe à chaleur se mettra en mode chauffage. Le compresseur s'arrêtera lorsque la température de l'eau entrante sera supérieure ou égale à la température demandée (temp. de consigne).

*Indications pour plage de réglage X*

X : paramètre ajustable de 1° à 15°C, réglage par défaut est 3°C. (Paramètre N°6)


# 4. Utilisation

## 4.3 Valeurs d'état et paramètres avancés




**ATTENTION** : Cette opération sert à faciliter l'entretien et les réparations futures.  
Seul un professionnel expérimenté est habilité à modifier les paramètres par défaut.

Les paramètres du système peuvent être vérifiés et ajustés au moyen de la télécommande en suivant les étapes suivantes


**Étape 1** : Restez appuyé sur  jusqu'à entrer en mode de vérification des paramètres.

**Étape 2** : Appuyez sur  et  pour voir les paramètres.

**Étape 3** : Appuyez sur  pour sélectionner le paramètre à modifier.

Attention, certains paramètres ne peuvent pas être modifiés, consultez la table des paramètres pour plus d'informations.

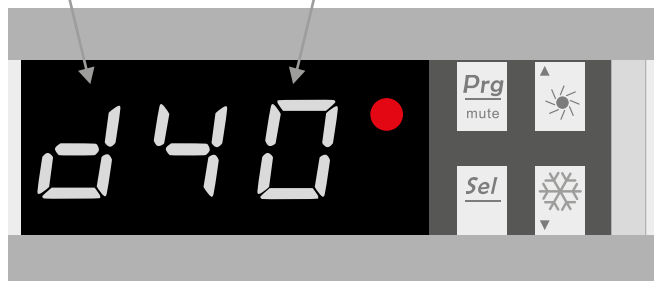
**Étape 4** : Appuyez sur  et  pour ajuster la valeur du paramètre.

**Étape 5** : Appuyez sur  pour enregistrer la nouvelle valeur.

**Étape 6** : Appuyez sur  pour revenir à l'écran principal.

Paramètre d

Valeur 40



# 4. Utilisation

## Parameters table

N°	Description	Plage de réglage	Paramètre usine	Commentaire
A	Température d'entrée d'eau	-19~99°C		Données réelles
b	Température de sortie d'eau	-19~99°C		Données réelles
c	Température de l'air ambiant	-19~99°C		Données réelles
d	Température par défaut	15~40°C	27°C	Réglable
E	Temps d'auto-activation du dégivrage	10~80 min	40 min	Réglable
F	Durée maximale du dégivrage	10~40 min	30 min	Réglable
H	Réglage de l'écart de température pour redémarrage	1~10°C	3°C	Réglable
J	Redémarrage automatique	0 = OFF 1 = ON	1	Réglable
O	Protection antigel - basse température de l'air	0~15°C	8°C	Ajustable
P	Température de l'évaporateur pour activation du dégivrage	-19°C~0°C	-3°C	Ajustable
U	Température de l'évaporateur pour arrêt du dégivrage	1~30°C	20°C	Ajustable
t	Reserved - do not modify			Reserved

# 5. Mise en service

## 5.1 Mise en service

### Conditions d'utilisation


Pour que la pompe à chaleur fonctionne normalement, la température ambiante de l'air doit être comprise entre 8°C et 43°C.

### Consignes préalables

Avant la mise en service de la pompe à chaleur, veuillez :

- ✓ Vérifiez que l'appareil est stable.
- ✓ Contrôlez le bon fonctionnement de votre installation électrique.
- ✓ Vérifiez que les raccords hydrauliques sont correctement serrés, et qu'il n'y ait pas de fuite d'eau.
- ✓ Retirez tout objet inutile ou outil autour de l'appareil.

### Mise en service

1. Branchez la prise électrique de l'appareil.
2. Activer la pompe de filtration.
3. Enclenchez la protection d'alimentation électrique de l'appareil (interrupteur différentiel situé sur le câble d'alimentation).
4. Activez la pompe à chaleur en appuyant une fois sur .
5. Sélectionnez la température souhaitée en utilisant l'un des modes de la télécommande (chapitre 4.2).
6. Le compresseur de la pompe à chaleur s'activera au bout de quelques instants.

Voilà il ne reste plus qu'à attendre que la température souhaitée soit atteinte.



**ATTENTION** : Dans des conditions normales, une pompe à chaleur adaptée permet de réchauffer l'eau du bassin de 1°C à 2°C par jour. Il est donc tout a fait normal de ne pas ressentir une différence de température en sortie de circuit lorsque la pompe à chaleur fonctionne.

**Un bassin chauffé doit être couvert pour éviter toute déperdition de chaleur.**

# 6. Maintenance et entretien

## 6.1 Maintenance, entretien et hivernage

FR



**ATTENTION : Avant d'entreprendre des travaux de maintenance sur l'appareil, assurez-vous d'avoir coupé l'alimentation électrique.**

### Nettoyage

Le boîtier de la pompe à chaleur doit être nettoyé avec un chiffon humide. L'utilisation de détergents ou d'autres produits ménagers pourraient dégrader la surface du boîtier et en altérer ses propriétés.

L'évaporateur à l'arrière de la pompe à chaleur peut être nettoyé avec précautions à l'aide d'un aspirateur à brosse souple.

### Maintenance annuelle

Les opérations suivantes doivent être exécutées par une personne qualifiée au moins une fois par an.

- ✓ Effectuer les contrôles de sécurité.
- ✓ Vérifier la bonne tenue des câbles électriques.
- ✓ Vérifier le raccordement des masses à la terre.
- ✓ Contrôler l'état du manomètre et la présence de fluide frigorigène

### Hivernage

Votre pompe à chaleur est conçue pour fonctionner par tous temps. Cependant, il n'est pas recommandé de la laisser dehors pendant de longues périodes (par exemple pendant l'hiver). Après avoir vidé la piscine pour l'hiver, démontez la pompe à chaleur et rangez la dans un endroit propre et sec.

# 7. Dépannage



**ATTENTION** : Dans des conditions normales, une pompe à chaleur adaptée permet de réchauffer l'eau du bassin de 1°C à 2°C par jour. Il est donc tout a fait normal de ne pas ressentir une différence de température en sortie de circuit lorsque la pompe à chaleur fonctionne.

Un bassin chauffé doit être couvert pour éviter toute déperdition de chaleur.

## 7.1 Pannes et anomalies

En cas de problème, l'écran de la pompe à chaleur affiche un code d'anomalie à la place des indications de température. Veuillez vous référer au tableau ci-dessous pour trouver les causes possibles d'une anomalie et les actions à prévoir.

Code	Erreur	Causes possible	Action
P1	Dysfonctionnement du capteur de température d'eau d'entrée	Le capteur est mal branché	Rebranchez le capteur
		Le capteur est défectueux	Remplacez le capteur
		Boîtier de commande défectueux	Remplacez le boîtier de commande
P3	Dysfonctionnement du capteur de température de l'évaporateur	Mêmes causes que P1	Mêmes actions que P1
P5	Dysfonctionnement du capteur de température extérieure		
P7	Protection antigel	La protection s'enclenche lorsque la température ambiante est trop basse.	Aucune intervention n'est nécessaire
E3	Dysfonctionnement détecteur de débit	Pas assez d'eau dans l'échangeur	Vérifiez le fonctionnement de votre circuit d'eau
		Détecteur de débit d'eau défectueux	Remplacez le contacteur de débit d'eau
		Boîtier de commande défectueux	Remplacez le boîtier de commande
	La pompe à chaleur ne fonctionne pas	Pas assez d'eau dans l'échangeur	Vérifiez le fonctionnement de votre circuit d'eau
		Boîtier de commande défectueux	Remplacez le boîtier de commande



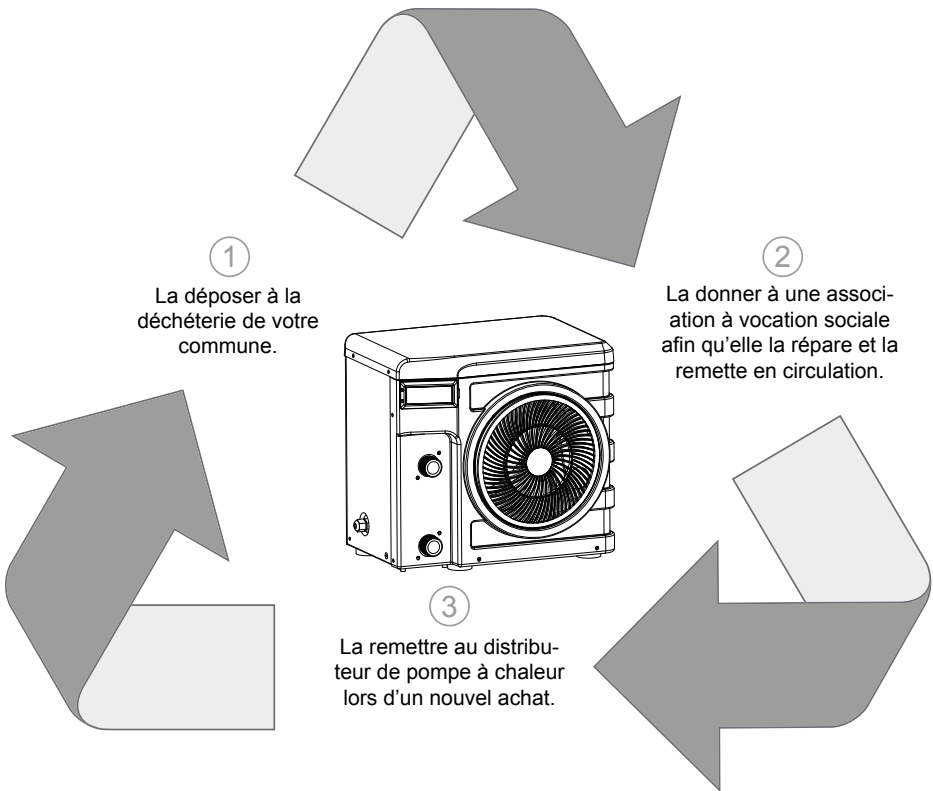
# 8. Recyclage

## 8.1 Recyclage de la pompe à chaleur

Votre appareil est en fin de vie et vous souhaitez vous en débarrasser ou le remplacer. Ne le jetez pas à la poubelle.

Une pompe à chaleur doit faire l'objet d'une collecte sélective en vue de sa réutilisation, de son recyclage ou de sa revalorisation. Elle contient des substances potentiellement dangereuses pour l'environnement, lors de son recyclage celles-ci seront éliminées ou neutralisées.

### TROIS SOLUTIONS S'OFFRENT À VOUS :



# 9. Garantie

## 9.1 Conditions générales de garantie

La société Poolstar garantit au propriétaire d'origine les défauts matériels et les défauts de fabrication de la pompe à chaleur Poolex Nano R32 pendant une période de deux (2) ans.

Le compresseur est garanti pendant une période de cinq (5) ans

L'échangeur à tube en titane est garanti quinze (15) ans contre la corrosion chimique, sauf dommage dû au gel.

Les autres composants du condenseur sont sous garantie pendant deux (2) ans.

La date d'entrée en vigueur de la garantie est la date de première facturation.

La garantie ne s'applique pas dans les cas suivants :

- Dysfonctionnement ou dommage dérivant d'une installation, d'une utilisation ou d'une réparation non conforme aux consignes de sécurité.
- Dysfonctionnement ou dommage dérivant d'un milieu chimique impropre de la piscine.
- Dysfonctionnement ou dommage dérivant de conditions impropres à la destination d'usage de l'appareil.
- Dommage dérivant d'une négligence, d'un accident ou de cas de force majeure.
- Dysfonctionnement ou dommage dérivant de l'utilisation d'accessoires non autorisés.

Les réparations prises en charges pendant la période de garantie doivent être approuvées avant leur réalisation et confiées à un technicien agréé. La garantie est caduque en cas de réparation de l'appareil par une personne non autorisée par la société Poolstar.

Les pièces garanties seront remplacées ou réparées à la discrétion de Poolstar. Les pièces défectueuses doivent être retournées dans nos ateliers pendant la période de garantie pour être prises en charge. La garantie ne couvre pas les frais de main d'oeuvre ou de remplacement non autorisés. Le retour de la pièce défectueuse n'est pas pris en charge par la garantie.

Madame, Monsieur,

**Une question ? Un problème ? Ou simplement enregistrer votre garantie, retrouvez-nous sur notre site internet:**

**<http://support.poolex.fr/>**

Nous vous remercions de votre confiance  
et vous souhaitons une excellente baignade.

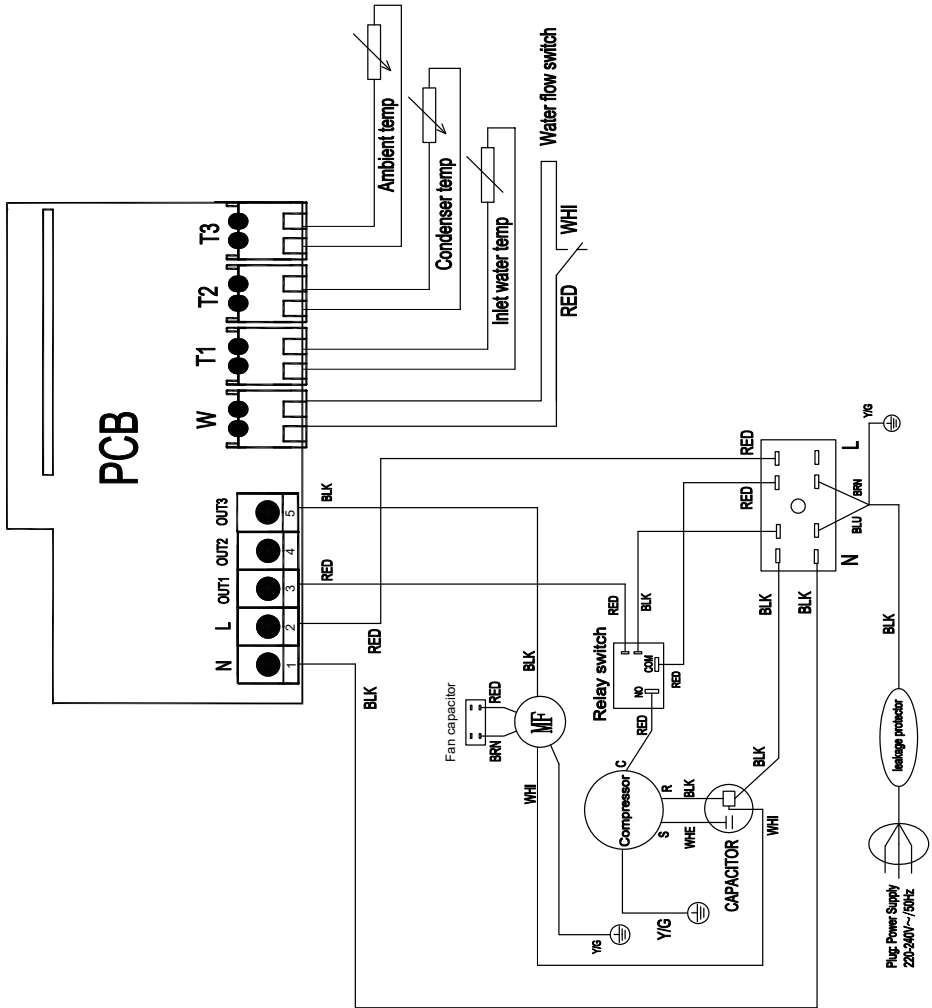
Vos coordonnées pourront être traitées conformément à la Loi Informatique et Liberté du 6 janvier 1978 et ne seront divulguées à quiconque.

### ATTENTION :

**La garantie contractuelle ne pourra être validée auprès de l'installateur ou de Poolstar qu'à la condition d'avoir enregistré votre produit sur notre site Internet.**

# A. Annexes

## A.1 Schémas de câblage de la carte électronique



# Avvertenze



**Questa pompa di calore contiene un refrigerante infiammabile R32.**

**Qualsiasi intervento sul circuito frigorifero è vietato senza una valida autorizzazione. Prima di lavorare sul circuito del refrigerante, sono necessarie le seguenti precauzioni per un lavoro sicuro.**

## **1. Procedura di lavoro**

Il lavoro deve essere eseguito secondo una procedura controllata, al fine di minimizzare il rischio di presenza di gas o vapori infiammabili durante l'esecuzione dei lavori.

## **2. Area di lavoro generale**

Tutte le persone della zona devono essere informate della natura dei lavori in corso. Evitare di lavorare in un'area ristretta. L'area intorno all'area di lavoro deve essere divisa, assicurata e deve essere prestata particolare attenzione alle fonti vicine di fiamme o di calore.

## **3. Verifica della presenza di refrigerante**

L'area deve essere controllata con un rilevatore di refrigerante adatto prima e durante il lavoro per garantire che non ci sia gas potenzialmente infiammabile. Assicurarsi che l'apparecchiatura di rilevamento delle perdite utilizzata sia idonea per i refrigeranti infiammabili, ovvero che non produca scintille, che sia adeguatamente sigillata o che abbia sicurezza interna.

## **4. Presenza di estintore**

Se devono essere eseguiti lavori a caldo sull'attrezzatura di refrigerazione o su qualsiasi parte associata, devono essere disponibili attrezzature di estinzione adeguate. Installare un estintore a polvere o CO2 vicino all'area di lavoro.

## **5. Nessuna fonte di fiamma, calore o scintilla**

È assolutamente vietato utilizzare una fonte di calore, fiamme o scintille nelle immediate vicinanze di una o più parti o tubazioni contenenti o contenenti un refrigerante infiammabile. Tutte le fonti di accensione, incluso il fumo, devono essere sufficientemente lontane dal luogo di installazione, riparazione, rimozione e smaltimento, durante i quali un refrigerante infiammabile può essere rilasciato nell'area circostante. Prima di iniziare il lavoro, l'ambiente dell'apparecchiatura deve essere controllato per garantire che non vi siano rischi di infiammabilità. I cartelli «No smoking» devono essere affissi.

## **6. Area ventilata**

Assicurarsi che l'area sia all'aria aperta o adeguatamente ventilata prima di intervenire sull'impianto o di eseguire lavori a caldo. Una certa ventilazione deve essere mantenuta durante la durata del lavoro.

## **7. Controlli delle apparecchiature di refrigerazione**

Quando i componenti elettrici vengono sostituiti, devono essere adatti allo scopo previsto e alle specifiche appropriate. È possibile utilizzare solo le parti del produttore. In caso di dubbi, consultare il servizio tecnico del produttore.

I seguenti controlli devono essere applicati agli impianti che utilizzano refrigeranti infiammabili:

- La dimensione del carico è in accordo con le dimensioni della stanza in cui sono installate le stanze contenenti il refrigerante;

- La ventilazione e le prese d'aria funzionano correttamente e non sono ostruite;

- Se si utilizza un circuito di refrigerazione indiretto, è necessario controllare anche il circuito secondario.

- La marcatura sull'attrezzatura rimane visibile e leggibile. Segni e segni illeggibili devono essere corretti;

- I tubi o componenti di refrigerazione sono installati in una posizione in cui è improbabile che possano essere esposti a una sostanza che potrebbe corrodere i componenti contenenti refrigerante

## **8. Verifica degli apparecchi elettrici**

La riparazione e la manutenzione dei componenti elettrici devono includere i primi controlli di sicurezza e le procedure di ispezione dei componenti. Se c'è un difetto che potrebbe compromettere la sicurezza, nessun alimentatore deve essere collegato al circuito fino a quando il problema non viene risolto.

I controlli di sicurezza iniziali devono includere:

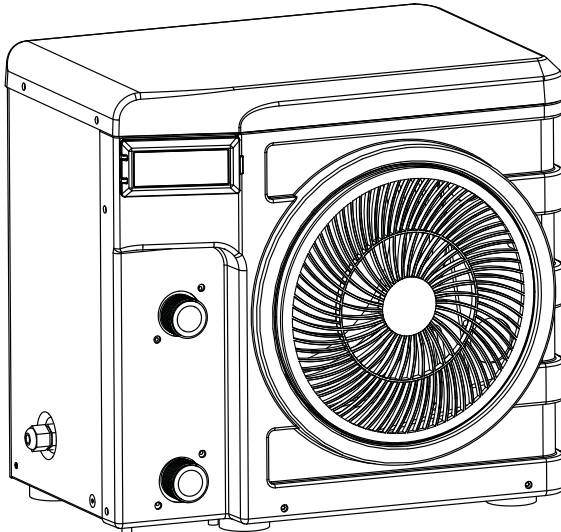
- Che i condensatori siano scaricati: questo deve essere fatto in modo sicuro per evitare la possibilità di scintille;
- Nessun componente elettrico o cablaggio è esposto durante il caricamento, il recupero o lo spurgo dell'impianto del gas refrigerante;
- C'è continuità di messa a terra.

# Gracias

*Estimado cliente,*

*Gracias por adquirir este artículo y por confiar en nuestros productos, que son el fruto de muchos años de investigación en el campo del diseño y la producción de bombas de calor para piscinas. Nuestro propósito es ofrecerle un producto de una calidad y un resultado excepcionales.*

*Hemos elaborado este manual con sumo cuidado para que pueda sacar el máximo provecho a su bomba de calor Poolex.*





# LÉALO CON ATENCIÓN



**Estas instrucciones de instalación forman parte esencial del producto y deben entregarse al instalador. Una vez instalado el producto, el usuario deberá guardarlas.**

**En caso de perder el manual, consulte el sitio web:**

**[www.poollex.fr](http://www.poollex.fr)**

Las instrucciones y recomendaciones recogidas en este manual deben leerse con atención y comprenderse, puesto que contienen información muy útil sobre el funcionamiento y la manipulación segura de la bomba de calor. **Guarde este manual en un lugar accesible su futura consulta.**

**La instalación debe ser realizada por un profesional cualificado**, de acuerdo con la normativa vigente y con las instrucciones del fabricante. Un error de instalación podría provocar daños físicos a personas o animales, así como un daño mecánico del que el fabricante no se hace responsable en ningún caso.

**Una vez desembalada la bomba de calor, compruebe su contenido para informar de cualquier daño.**

Antes de conectar la bomba de calor, compruebe que la información que contiene este manual es compatible con las condiciones de instalación reales, y que no exceda de los límites máximos autorizados para este producto en concreto.

**En caso de defecto o mal funcionamiento de la bomba de calor, desconecte la fuente de alimentación** y no intente reparar el error.

Las reparaciones deben ser realizadas únicamente por la empresa de servicio técnico autorizada y con piezas de repuesto originales. El incumplimiento de las cláusulas anteriores podría impedir el funcionamiento seguro de la bomba de calor.

Para garantizar la eficiencia y el buen funcionamiento de la bomba de calor es importante realizar un mantenimiento periódico de acuerdo con las instrucciones adjuntas.

En el caso de que la bomba de calor sea vendida o traspasada, asegúrese siempre de que se entrega toda la documentación técnica al nuevo propietario junto con el equipo.

Esta bomba de calor está diseñada exclusivamente para calentar una piscina. Cualquier otro uso se considerará inapropiado, incorrecto e, incluso, peligroso.

Toda responsabilidad contractual o no contractual del fabricante o distribuidor se considerará nula cuando se refiera a un daño provocado por errores de operación o de instalación, o por el incumplimiento de las instrucciones que acompañan a este manual o de las normas de instalación aplicables al equipo descrito en este documento.

# Índice

<b>1. Generalidades</b> .....	<b>4</b>
1.1 Condiciones generales de entrega.....	4
1.2 Instrucciones de seguridad.....	4
1.3 Tratamiento del agua.....	5
<b>2. Descripción</b> .....	<b>6</b>
2.1 Contenido del paquete.....	6
2.2 Características generales.....	6
2.3 Especificaciones técnicas.....	7
2.4 Dimensiones de la unidad.....	8
2.5 Vista en despiece.....	9
<b>3. Instalación</b> .....	<b>10</b>
3.1 Localización.....	10
3.2 Esquema de la instalación.....	11
3.3 Conexión hidráulica.....	11
3.4 Conexión eléctrica.....	11
<b>4. Uso</b> .....	<b>12</b>
4.1 Panel de control.....	12
4.2 Modo de calentamiento.....	13
4.3 Valores de estado y configuraciones avanzadas.....	14
<b>5. Funcionamiento</b> .....	<b>16</b>
5.1 Funcionamiento.....	16
<b>6. Mantenimiento y servicio técnico</b> .....	<b>17</b>
6.1 Mantenimiento, servicio técnico y almacenamiento en invierno.....	17
<b>7. Reparaciones</b> .....	<b>18</b>
7.1 Averías y errores.....	18
<b>8. Reciclaje</b> .....	<b>19</b>
8.1 Reciclaje de la bomba de calor.....	19
<b>9. Garantía</b> .....	<b>20</b>
9.1 Condiciones generales de la garantía.....	20
<b>A. Apéndices</b> .....	<b>A</b>
A.1 Diagramas de cableado.....	A

# 1. Generalidades

## 1.1 Condiciones generales de entrega

Todo el equipo, aun cuando se transporte «franco de porte y embalaje», se entrega por cuenta y riesgo del destinatario.

El responsable de la recepción del equipo debe llevar a cabo una inspección visual para detectar cualquier daño sufrido por la bomba de calor durante su transporte (sistema de refrigeración, paneles de la carcasa, caja de control eléctrico, marco, etc.). Asimismo, debe escribir en la nota de entrega del transportista los comentarios relativos al daño sufrido durante el transporte y confirmárselos al transportista por carta certificada en el plazo de 48 horas.



El equipo debe almacenarse y transportarse en todo momento en posición vertical sobre un palé, y en su embalaje original. En caso de guardarse o transportarse en posición horizontal, espere un mínimo de 24 horas antes de encenderlo.

## 1.2 Instrucciones de seguridad



**ADVERTENCIA: Lea atentamente las instrucciones de seguridad antes de usar el equipo. Las siguientes instrucciones son fundamentales para la seguridad, por lo que deben cumplirse estrictamente.**

### *Durante la instalación y el mantenimiento*

Los servicios de instalación, puesta en marcha, mantenimiento y reparación solo podrán ser realizados por un técnico especializado y en cumplimiento de las normas vigentes.

Antes de manipular o realizar cualquier trabajo en el equipo (instalación, puesta en marcha, uso, mantenimiento), el responsable debe conocer todas las instrucciones contenidas en el manual de instalación de la bomba de calor, así como sus especificaciones técnicas.

No instale nunca el equipo cerca de una fuente de calor, materiales combustibles o el conducto de entrada de aire de un edificio.

Si la instalación no se realiza en un lugar con acceso restringido, deberá colocarse una rejilla para proteger la bomba de calor.

No pise las tuberías mientras se llevan a cabo trabajos de instalación, reparación o mantenimiento, a riesgo de sufrir quemaduras graves.

Para evitar quemaduras graves, antes de empezar a trabajar con el sistema de refrigeración apague la bomba de calor y espere varios minutos para instalar los sensores de temperatura y de presión.

Compruebe el nivel del refrigerante cuando realice el mantenimiento de la bomba de calor.

Compruebe que los interruptores de presión alta y baja estén correctamente conectados al sistema de refrigeración y que apaguen el circuito eléctrico si se disparan durante la inspección anual para la detección de fugas.

Compruebe que no hay señales de corrosión ni manchas de aceite alrededor de las piezas del sistema de refrigeración.



# 1. Generalidades

## *Durante el uso*

Para evitar lesiones graves, no toque nunca el ventilador mientras esté en funcionamiento.

Mantenga la bomba de calor fuera del alcance de los niños para evitar las lesiones graves que pueden ocasionar las cuchillas del intercambiador del calor.

Jamás encienda el equipo si la piscina está vacía o si la bomba de circulación está parada.

Compruebe el caudal de agua todos los meses y limpie el filtro cuando sea necesario.

## *Durante las reparaciones*

Desconecte el equipo de la fuente de alimentación.

Cierre las válvulas de entrada y salida de agua.

No introduzca ningún objeto en los orificios de entrada o salida de agua o de aire.

No aclare el equipo con agua.

## *Durante las reparaciones*

Las reparaciones del sistema de refrigeración deben realizarse siguiendo las normas de seguridad vigentes.

Los trabajos de soldadura fuerte deberían ser realizados por un soldador cualificado.

Para sustituir un componente del sistema de refrigeración defectuoso, utilice solo piezas homologadas por nuestro departamento técnico.

En caso de sustitución de tuberías deberán usarse únicamente tuberías de cobre conformes con la Norma NF EN12735-1 para las reparaciones.

Cuando se realicen pruebas de presión para la detección de fugas:

Para evitar el riesgo de incendio o explosión, no utilice nunca oxígeno ni aire seco.

Utilice nitrógeno deshidratado o una mezcla de nitrógeno y refrigerante.

La presión de prueba alta y baja no debe superar los 42 bares.

## 1.3 Tratamiento del agua

Las bombas de calor Poolex para piscinas pueden usarse con todo tipo de sistemas de tratamiento de agua.

No obstante, es imprescindible que el sistema de tratamiento de agua (con bombas dosificadoras de cloro, pH, bromo o electrólisis de sal) se instale después que la bomba de calor en el circuito hidráulico.

**Para evitar que la bomba de calor se deteriore, el Ph del agua debe mantenerse entre 6,9 y 8,0.**

# 2. Descripción

## 2.1 Contenido del paquete

- ✓ Bomba de calor Poolex Nano Action R32
- ✓ 2 conectores hidráulicos de entrada/salida 32 / 38 mm de diámetro
- ✓ Este manual de usuario y de instalación
- ✓ **4 almohadillas antivibraciones**

## 2.2 Características generales

Una bomba de calor Poolex tiene las siguientes características:

- ▶ Certificación CE y cumplimiento con la directiva europea RoHS.
- ▶ Gran rendimiento con un ahorro energético de hasta el 80% en comparación con otros sistemas de calentamiento convencionales.
- ▶ Refrigerante R32 limpio, eficiente y respetuoso con el medio ambiente.
- ▶ Compresor de marca superior y de alta calidad.
- ▶ Amplio condensador de aluminio hidrofílico para uso a temperaturas bajas.
- ▶ Panel de control intuitivo y de fácil manejo.
- ▶ Carcasa muy resistente, con tratamiento anti-UV y de fácil mantenimiento.
- ▶ Diseño silencioso.

## 2. Descripción

### 2.3 Especificaciones técnicas

		3 kW	4 kW	5 kW
Aire <sup>(1)</sup> 26°C Agua <sup>(2)</sup> 26°C	Calefacción (W)	3 010	4 200	5 010
	Consumo (W)	540	760	910
	<b>COR (Coeficiente de rendimiento)</b>	<b>5,61</b>	<b>5,50</b>	<b>5,50</b>
Aire <sup>(1)</sup> 15°C Agua <sup>(2)</sup> 26°C	Calefacción (W)	2210	3 100	4 030
	Consumo (W)	540	760	1 000
	<b>COR (Coeficiente de rendimiento)</b>	<b>4,09</b>	<b>4,08</b>	<b>4,03</b>
Alimentación	220-240V ~ 50Hz			
Potencia máxima (W)	930	1 200	1 500	
Corriente máxima (A)	4,15	5,32	6,65	
Rango de temperatura de calentamiento	15°C ~ 40°C			
Rango de funcionamiento	8°C ~ 43°C			
Dimensiones de la unidad L x W x H (mm)	385 x 400 x 280			
Peso de la unidad (kg)	18	24	26	
Dimensiones del embalaje L x W x H (mm)	415 x 460 x 370			
Peso del embalaje (kg)	20	28	30	
Nivel de presión acústica a 10m (dBA) <sup>(3)</sup>	<32	<35	<36	
Conexión hidráulica (mm)	PVC 32 / 38mm			
Intercambiador de calor	Tanque de PVC y serpentín de calefacción de titanio			
Caudal mínimo de agua (m³/h)	1,3	2	2,5	
Tipo de compresor	Rotativo			
Refrigerante	R32			
GWP	675			
Contenido en refrigerante (kg)	0,15	0,3	0,35	
CO2 equivalent	0,10	0,203	0,337	
IP a prueba de agua	IPX4			
Pérdida de carga (mCE)	0,8			
Volumen máximo de la piscina (m³) <sup>(4)</sup>	≤21	≤28	≤35	
Panel de control	Pantalla de control retroiluminada			
Modo	Calentamiento			

Las especificaciones técnicas de nuestras bombas de calor se indican a modo meramente informativo. La empresa se reserva el derecho a efectuar cambios sin previo aviso.

<sup>1</sup> Temperatura ambiente

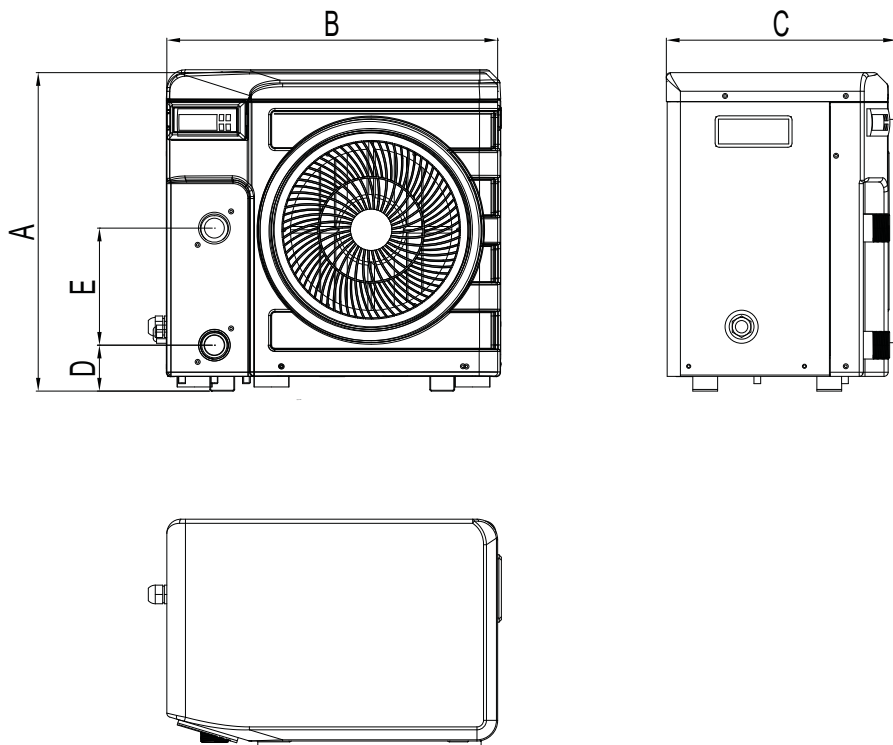
<sup>2</sup> Temperatura inicial del agua

<sup>3</sup> Ruido a 10 m conforme con las Directivas EN ISO 3741 y EN ISO 354

<sup>4</sup> Calculado para una piscina privada a ras de suelo protegida con una cubierta de burbujas.

## 2. Descripción

### 2.4 Dimensiones de la unidad

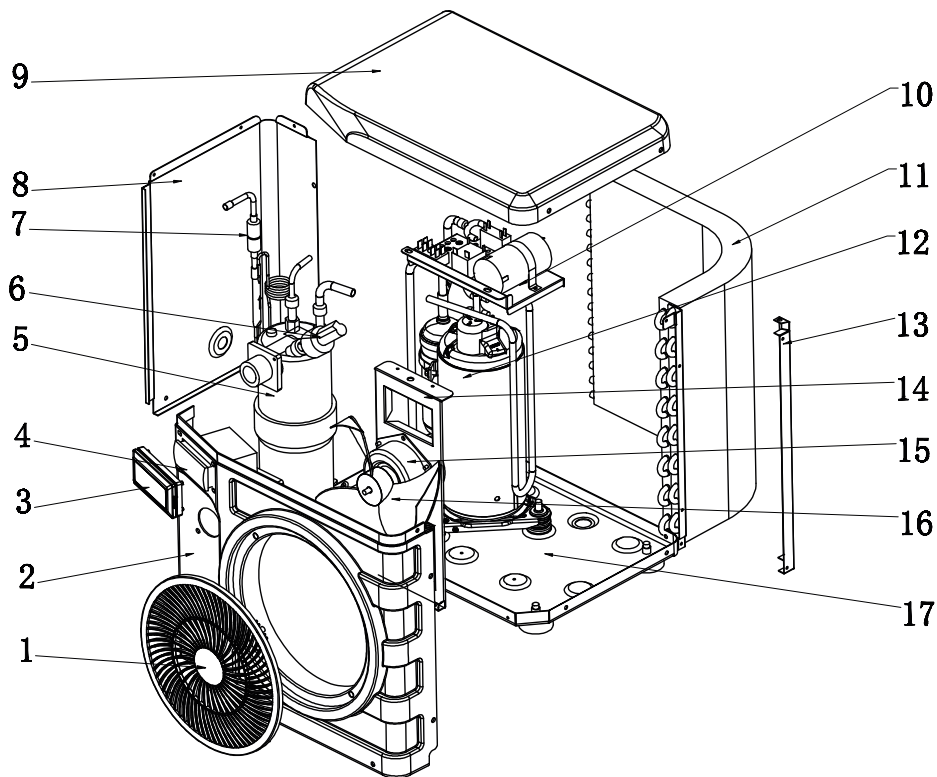


Dimensiones en mm

Nano Action 3 kW / 4 kW / 5 kW	
A	385
B	400
C	280
D	52
E	140

## 2. Descripción

### 2.5 Dimensiones de la unidad



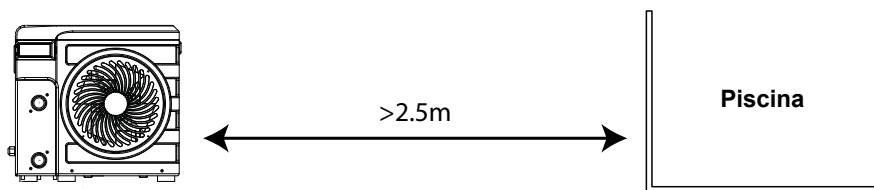
- |   |                               |
|---|-------------------------------|
| 1. Rejilla de protección del ventilador | 10. Caja de control eléctrico |
| 2. Panel frontal                        | 11. Evaporador                |
| 3. Panel de control                     | 12. Compresor                 |
| 4. Panel de control                     | 13. Bastidor de montaje       |
| 5. Intercambiador de calor              | 14. Soporte del ventilador    |
| 6. Sensor de flujo                      | 15. Motor del ventilador      |
| 7. Interruptor de flujo                 | 16. Cuchilla del ventilador   |
| 8. Panel izquierdo                      | 17. Chasis                    |
| 9. Panel superior                       |                               |

# 3. Instalación

**La bomba de calor es muy fácil de instalar y solo requiere la conexión al circuito hidráulico y una fuente de alimentación.**

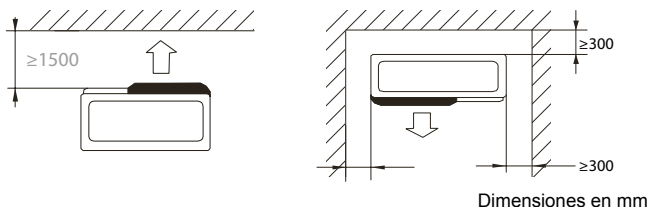
## 3.1 Localización

La bomba de calor debe colocarse al menos a 2,5 metros de la piscina.



**Siga las siguientes reglas a la hora de elegir la localización de la bomba de calor**

1. La futura ubicación de la unidad debe ser fácilmente accesible para su buena manipulación y mantenimiento.
2. Debe instalarse en el suelo, idealmente posado sobre una superficie nivelada de hormigón. Compruebe que el suelo es suficientemente estable y capaz de soportar el peso de la unidad.
3. Compruebe que la unidad está bien ventilada, que la salida de aire no está orientada hacia las ventanas de edificios colindantes y que el aire de escape no pueda volver. Además, deje espacio suficiente alrededor de la unidad para los trabajos de puesta en servicio y mantenimiento.
4. La unidad no debe instalarse en una zona expuesta a gasolina, gases inflamables, productos corrosivos o componentes sulfurados ni cerca de equipos de alta frecuencia.
5. Para evitar salpicaduras de barro, no instale la unidad cerca de una carretera o camino.
6. Para no ocasionar molestias a los vecinos, compruebe que la unidad esté orientada hacia la zona menos sensible al ruido.
7. Mantenga la unidad fuera del alcance de los niños en la medida de lo posible.



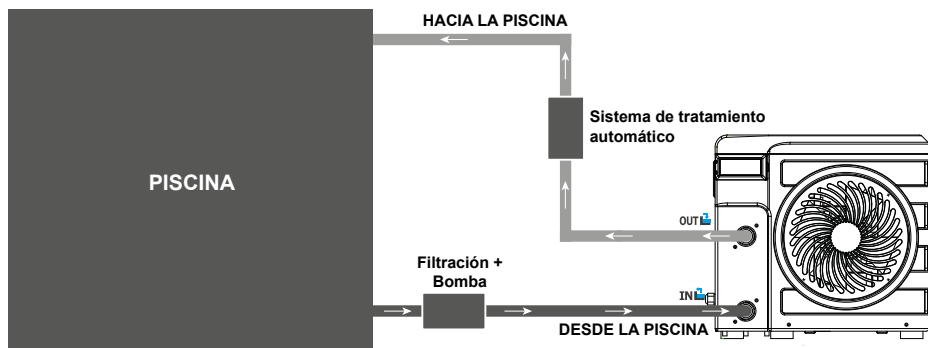
No coloque ningún objeto a menos de 1,50 m de distancia por delante de la bomba de calor.

Deje un espacio libre de 30 cm a los lados y por la parte posterior de la bomba de calor.

**¡No deje ningún obstáculo por encima ni por delante de la unidad!**

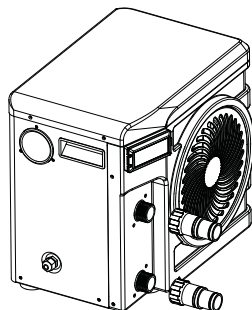
# 3. Instalación

## 3.2 Esquema de la instalación



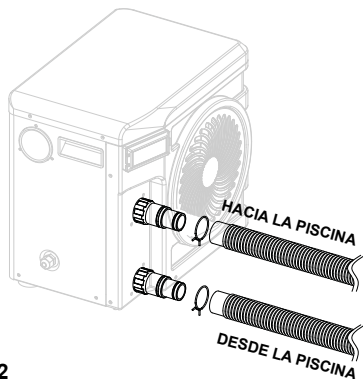
El filtro ubicado antes de la bomba de calor debe limpiarse regularmente para que el agua del sistema esté limpia y evitar de este modo problemas de funcionamiento derivados de la suciedad o el atascamiento del filtro.

## 3.3 Conexión hidráulica



### Paso 1

Atornille las conexiones en la bomba de calor



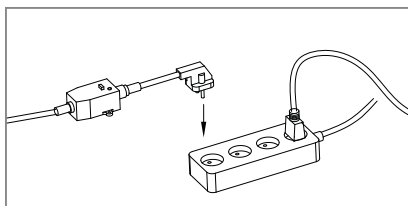
### Paso 2

Conecte los tubos de entrada y salida

## 3.4 Conexión eléctrica

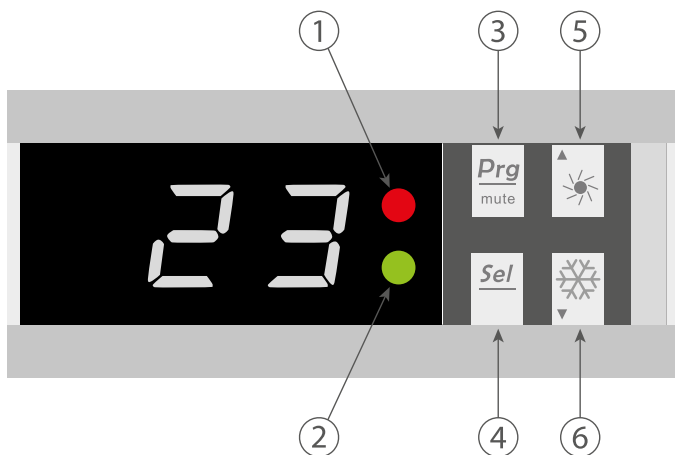
La toma de corriente de la bomba de calor incorpora un interruptor diferencial de 10 mA. Antes de conectar su bomba de calor, asegúrese de que la toma de corriente esté correctamente conectada a tierra.

La bomba de filtro debe funcionar al mismo tiempo que la bomba de calor. Por lo tanto, conéctelos al mismo circuito eléctrico.



# 4. Uso

## 4.1 Panel de control



- |                                |              |              |
|--------------------------------|--------------|--------------|
| 1. Indicatore di alimentazione | 3. ON / OFF  | 5. Sup. (+)  |
| 2. Indicatore di sbrinamento   | 4. Selección | 6. Basso (-) |




# 4. Uso

## 4.2 Modo de calentamiento



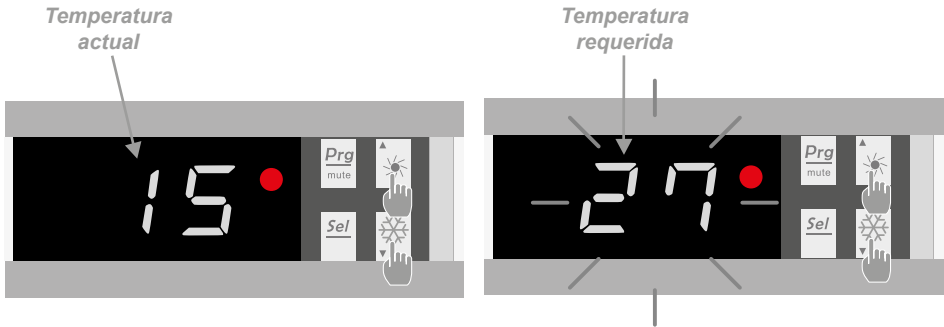
**ADVERTENCIA:** Antes de empezar, compruebe que la bomba de filtración funciona correctamente.

**Paso 1 :** Pulse  para encender la bomba.

**Paso 2 :** Utilizando los botones  y  seleccione la temperatura requerida.

EJEMPLO:

Si la temperatura actual es de 15°C, el valor predeterminado es 27°C y la temperatura deseada es de 30°C.



### Información útil sobre cómo funciona el modo de calentamiento


Cuando la temperatura del agua entrante sea inferior o igual a la temperatura requerida (temperatura deseada) -X°C, la bomba de calor cambiará al modo de calentamiento. El compresor se detendrá cuando la temperatura del agua entrante sea superior o igual a la temperatura requerida (temperatura deseada).

*Los indicadores de ajuste oscilan X*

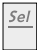
X: parámetro ajustable entre 1° y 15°C; la configuración por defecto es 3°C. (Parámetro N°6)

# 4. Uso

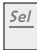
## 4.3 Valores de estado y configuraciones avanzadas

 **ADVERTENCIA:** Esta operación se utiliza para ayudar a los servicios de mantenimiento y futuras reparaciones. Las configuraciones por defecto solo deberían ser modificadas por un profesional con experiencia.



Las configuraciones del sistema pueden comprobarse y ajustarse desde el mando a distancia siguiendo estos pasos:

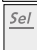
**Paso 1 :** Mantenga pulsado el botón  hasta que llegue al modo de verificación de configuración.


**Paso 2 :** Pulse  y  para ver la configuración.

**Paso 3 :** Pulse  para seleccionar la configuración que desea modificar.

*NOTA: Algunas configuraciones no pueden modificarse. Consulte la tabla de configuraciones para más información.*

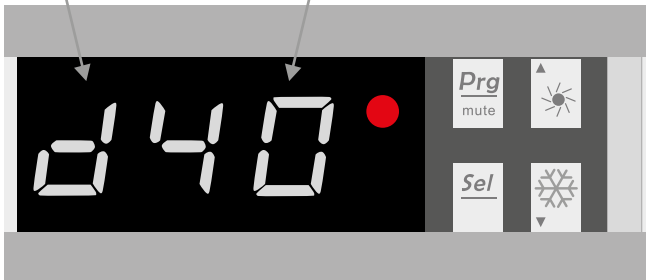
**Paso 4 :** Pulse  y  para ajustar el valor de configuración.

**Paso 5 :** Pulse  para establecer el nuevo valor.

**Paso 6 :** Pulse  para volver a la pantalla principal.

Parámetro d

Valor 40



# 4. Uso

**Tabla de parámetros**

N°	Descripción	Rango de ajuste	Configuración de fábrica	Comentarios
A	Temperatura del agua de entrada	-19~99°C		Datos reales
b	Temperatura del agua de salida	-19~99°C		Datos reales
c	Temperatura ambiente	-19~99°C		Datos reales
d	Temperatura predeterminada	15~40°C	27°C	Ajustable
E	Hora de activación automática del ciclo de deshielo	10~80 min	40 min	Ajustable
F	Duración máxima del deshielo	10~40 min	30 min	Ajustable
H	Ajuste de la diferencia de temperatura para el reinicio	1~10°C	3°C	Ajustable
J	Reinicio automático	0 = OFF 1 = ON	1	Ajustable
O	Protección contra heladas: baja temperatura del aire	0~15°C	8°C	Ajustable
P	Temperatura del evaporador para la activación del desescarche	-19°C~0°C	-3°C	Ajustable
U	Temperatura del evaporador para parada de descongelamiento	1~30°C	20°C	Ajustable
t	Reservado - no modificar			Reserved

# 5. Funcionamiento

## 5.1 Funcionamiento

### Condiciones de uso


Para que la bomba de calor pueda funcionar con normalidad, la temperatura ambiente debe oscilar entre 8°C y 43°C.

### Recomendaciones previas a la puesta en marcha

Antes de activar la bomba de calor:

- ✓ Compruebe que la unidad está bien estable.
- ✓ Verifique el correcto funcionamiento de su instalación eléctrica.
- ✓ Compruebe que las conexiones hidráulicas están bien cerradas y que no existen fugas de agua.
- ✓ Retire los objetos o herramientas innecesarios que se encuentren alrededor de la unidad.

### Funcionamiento

1. Enchufe la toma de corriente de la unidad.
2. Active la bomba de filtración
3. Active la protección de la alimentación eléctrica de la unidad (diferencial situado sobre el cable de alimentación).
4. Active la bomba de calor pulsando una vez en .
5. Seleccione la temperatura requerida usando uno de los modos del mando a distancia (sección 4.2).
6. El compresor de la bomba de calor se encenderá al cabo de unos instantes.


Ahora solo tiene que esperar a que se alcance la temperatura requerida.



**ADVERTENCIA:** En condiciones normales, una bomba de calor adecuada puede calentar el agua de una piscina entre 1°C y 2°C diarios. Por tanto, es completamente normal no notar ninguna diferencia térmica en el sistema cuando la bomba de calor está en funcionamiento. Las piscinas climatizadas deben cubrirse para no perder calor.

# 6. Mantenimiento y servicio

## 6.1 Mantenimiento, servicio técnico y almacenamiento en invierno

 **ADVERTENCIA: Antes de realizar ningún trabajo de mantenimiento en la unidad, compruebe que la cortado la alimentación eléctrica.**

### Limpeza

Limpe la carcasa de la bomba de calor con un paño húmedo. El uso de detergentes u otros productos de uso doméstico podrían dañar la superficie de la carcasa y afectar a sus propiedades.

El evaporador alojado en la parte trasera de la bomba de calor debe limpiarse con cuidado con una aspiradora o un plumero suave.

### Mantenimiento anual

Al menos una vez al año, un técnico cualificado debe llevar a cabo las siguientes operaciones.

- ✓ Realizar comprobaciones de seguridad
- ✓ Comprobar el buen estado del cableado eléctrico
- ✓ Comprobar las conexiones a tierra
- ✓ Controlar el estado del manómetro y el nivel de refrigerante

### Almacenamiento en invierno

Su bomba de calor está diseñada para funcionar en todas las condiciones climáticas. Sin embargo, no se recomienda dejarla fuera durante largos períodos de tiempo (por ejemplo, durante el invierno). Después de biciar la piscina para el invierno, desarme la bomba de calor y guárdela en un lugar limpio y seco.

# 7. Reparaciones



**ADVERTENCIA:** En condiciones normales, una bomba de calor adecuada puede calentar el agua de una piscina entre 1°C y 2°C diarios. Por tanto, es completamente normal no notar ninguna diferencia térmica en el sistema cuando la bomba de calor está en funcionamiento.

Las piscinas climatizadas deben cubrirse para no perder calor.

## 7.1 Averías y errores

En caso de problemas, la pantalla de la bomba de calor muestra un código de error en lugar de indicaciones de temperatura. Consulte la tabla por debajo para identificar las posibles causas de un error y las soluciones que puede tener.

Código	Erreur	Causas posibles	Solución
P1	Mal funcionamiento del sensor de temperatura del agua de entrada	El sensor está mal conectado	Vuelva a conectar el sensor
		Sensor defectuoso	Sustituya el sensor
		Caja de control defectuoso	Sustituya el caja de control
P3	Mal funcionamiento del sensor de temperatura del evaporador	Mismas causas que P1	Mismas soluciones que P1
P5	Mal funcionamiento del sensor de temperatura externa		
P7	Protección anticongelante	Protección activada cuando la temperatura ambiente es demasiado baja	No se requiere ninguna intervención
E3	Mal funcionamiento del sensor del caudal	Nivel de agua insuficiente en el intercambiador de calor	Compruebe el funcionamiento del circuito de agua
		Sensor del caudal de agua defectuoso	Sustituya el contactor del caudal de agua.
		Caja de control defectuoso	Sustituya el caja de control
La bomba de calor no funciona		Nivel de agua insuficiente en el intercambiador de calor	Compruebe el funcionamiento del circuito de agua
		Caja de control defectuoso	Sustituya el caja de control

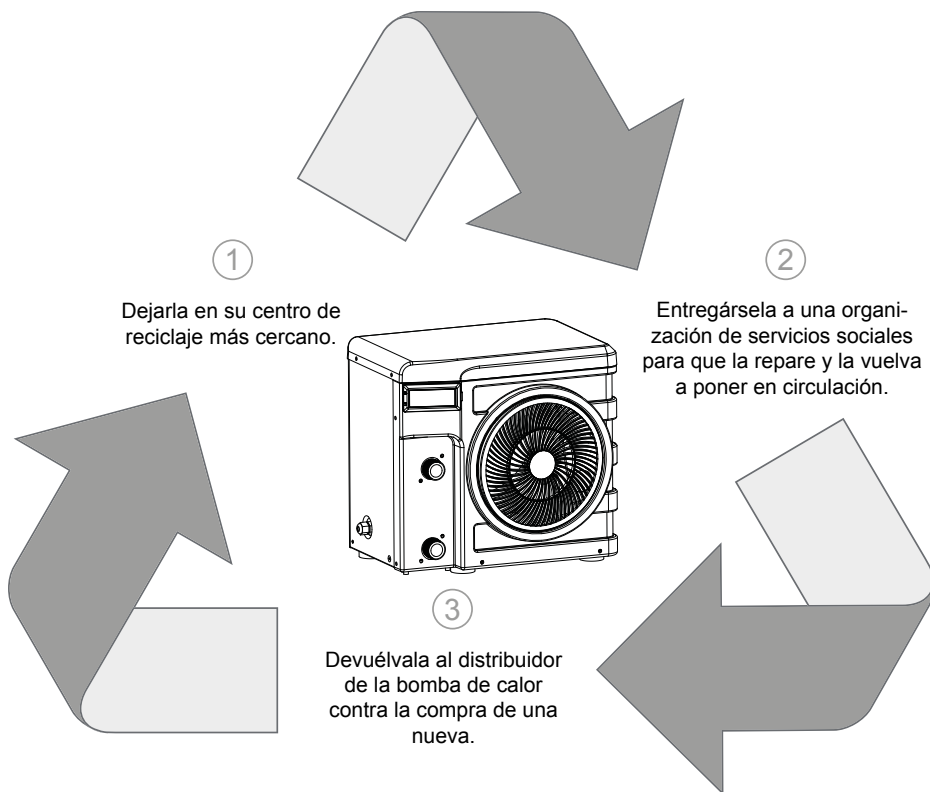
# 8. Reciclaje

## 8.1 Reciclaje de la bomba de calor

Su bomba de calor ha llegado al final de su vida útil y usted desea desecharla o sustituirla. No la deposite en el cubo de la basura.

Una bomba de calor debe desecharse por separado con vistas a su reutilización, reciclaje o renovación. Contiene sustancias que pueden resultar nocivas para el medio ambiente y que, sin embargo, pueden ser eliminadas o neutralizadas mediante el reciclaje.

**EXISTEN TRES OPCIONES:**



# 9. Garantía

## 9.1 Condiciones generales de la garantía

La empresa Poolstar ofrece al propietario original una garantía de dos (2) años contra materiales defectuosos y defectos de fabricación de la bomba de calor Poollex Nano R32.

El compresor está garantizado durante un periodo de cinco (5) años.

El intercambiador de calor tubular de titanio tiene garantía de quince (15) años contra la corrosión química, salvo en caso de daño por heladas.

El resto de piezas del condensador tienen una garantía de dos (2) años.

La garantía entra en vigor en la fecha de la primera factura.

La garantía no será aplicable en los casos siguientes:

- Mal funcionamiento o daño derivados de una instalación, uso o reparación no conformes con las instrucciones de seguridad.
- Mal funcionamiento o daño derivados del uso de un producto químico no adecuado para la piscina.
- Mal funcionamiento o daño derivados de unas condiciones no adecuadas para el uso previsto del equipo.
- Daño atribuible a una negligencia, accidente o fuerza mayor.
- Mal funcionamiento o daño derivados del uso de accesorios no homologados.

Las reparaciones que realicen a cabo dentro del periodo de garantía deben ser aprobadas previamente por un técnico autorizado. La garantía quedará anulada si la reparación del equipo es realizada por una persona no autorizada por la empresa Poolstar.

Las piezas cubiertas por la garantía serán sustituidas o reparadas, a discreción de Poolstar. Las piezas defectuosas deben devolverse a nuestros talleres para estar cubiertas durante el periodo de garantía. La garantía no cubre los costes de mano de obra ni las sustituciones no autorizadas. La garantía no cubre la devolución de la pieza defectuosa.

Estimado/-a señor/-a,

**Una pregunta ? Un problema ? O simplemente registre su garantía, encuéntranos en nuestro sitio web:**

**<http://support.poollex.es/>**

Le agradecemos que haya confiado en nuestros productos.  
¡Disfrute de su piscina!

Sus datos podrán tratarse de acuerdo con la ley de protección de datos (Data Protection Act) de 6 de enero de 1978 y no se revelarán a terceros.

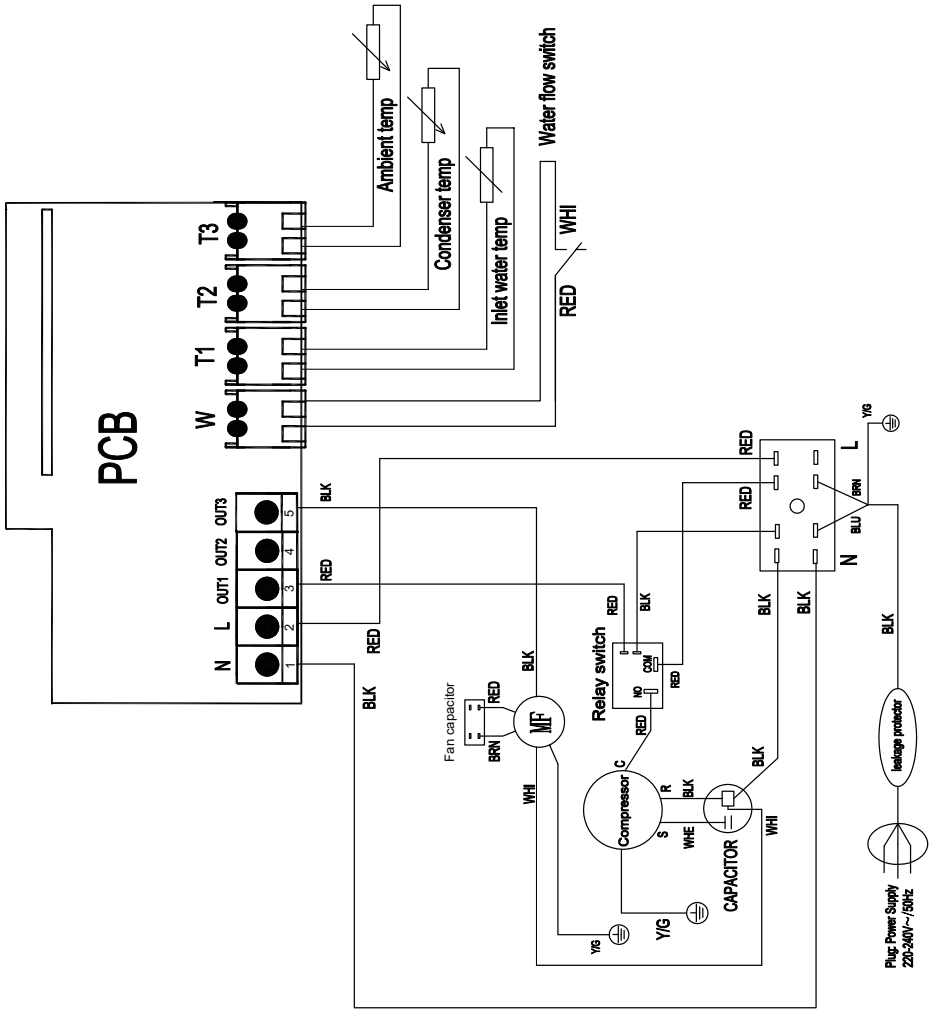
### ADVERTENCIA:

**La garantía contractual no puede validarse con el instalador ni con Poolstar si usted no ha registrado su producto en nuestro sitio web.**



# A. Annexes / Apéndices / Appendici

## A.1 Schémas de câblage de la carte électronique / Diagramas de cableado / Schemi di cablaggio



ES

# Avvertenze



**Questa pompa di calore contiene un refrigerante infiammabile R32.**

**Qualsiasi intervento sul circuito frigorifero è vietato senza una valida autorizzazione. Prima di lavorare sul circuito del refrigerante, sono necessarie le seguenti precauzioni per un lavoro sicuro.**

## **1. Procedura di lavoro**

**Il lavoro deve essere eseguito secondo una procedura controllata, al fine di minimizzare il rischio di presenza di gas o vapori infiammabili durante l'esecuzione dei lavori.**

## **2. Area di lavoro generale**

**Tutte le persone della zona devono essere informate della natura dei lavori in corso. Evitare di lavorare in un'area ristretta. L'area intorno all'area di lavoro deve essere divisa, assicurata e deve essere prestata particolare attenzione alle fonti vicine di fiamme o di calore.**

## **3. Verifica della presenza di refrigerante**

**L'area deve essere controllata con un rilevatore di refrigerante adatto prima e durante il lavoro per garantire che non ci sia gas potenzialmente infiammabile. Assicurarsi che l'apparecchiatura di rilevamento delle perdite utilizzata sia idonea per i refrigeranti infiammabili, ovvero che non produca scintille, che sia adeguatamente sigillata o che abbia sicurezza interna.**

## **4. Presenza di estintore**

**Se devono essere eseguiti lavori a caldo sull'attrezzatura di refrigerazione o su qualsiasi parte associata, devono essere disponibili attrezzature di estinzione adeguate. Installare un estintore a polvere o CO2 vicino all'area di lavoro.**

## **5. Nessuna fonte di fiamma, calore o scintilla**

**È assolutamente vietato utilizzare una fonte di calore, fiamme o scintille nelle immediate vicinanze di una o più parti o tubazioni contenenti o contenenti un refrigerante infiammabile. Tutte le fonti di accensione, incluso il fumo, devono essere sufficientemente lontane dal luogo di installazione, riparazione, rimozione e smaltimento, durante i quali un refrigerante infiammabile può essere rilasciato nell'area circostante. Prima di iniziare il lavoro, l'ambiente dell'apparecchiatura deve essere controllato per garantire che non vi siano rischi di infiammabilità. I cartelli «No smoking» devono essere affissi.**

## **6. Area ventilata**

**Assicurarsi che l'area sia all'aria aperta o adeguatamente ventilata prima di intervenire sull'impianto o di eseguire lavori a caldo. Una certa ventilazione deve essere mantenuta durante la durata del lavoro.**

## **7. Controlli delle apparecchiature di refrigerazione**

**Quando i componenti elettrici vengono sostituiti, devono essere adatti allo scopo previsto e alle specifiche appropriate. È possibile utilizzare solo le parti del produttore. In caso di dubbi, consultare il servizio tecnico del produttore.**

**I seguenti controlli devono essere applicati agli impianti che utilizzano refrigeranti infiammabili:**

- La dimensione del carico è in accordo con le dimensioni della stanza in cui sono installate le stanze contenenti il refrigerante;
- La ventilazione e le prese d'aria funzionano correttamente e non sono ostruite;
- Se si utilizza un circuito di refrigerazione indiretto, è necessario controllare anche il circuito secondario.
- La marcatura sull'attrezzatura rimane visibile e leggibile. Segni e segni illeggibili devono essere corretti;
- I tubi o i componenti di refrigerazione sono installati in una posizione in cui è improbabile che possano essere esposti a una sostanza che potrebbe corrodere i componenti contenenti refrigerante

## **8. Verifica degli apparecchi elettrici**

**La riparazione e la manutenzione dei componenti elettrici devono includere i primi controlli di sicurezza e le procedure di ispezione dei componenti. Se c'è un difetto che potrebbe compromettere la sicurezza, nessun alimentatore deve essere collegato al circuito fino a quando il problema non viene risolto.**

**I controlli di sicurezza iniziali devono includere:**

- Che i condensatori siano scaricati: questo deve essere fatto in modo sicuro per evitare la possibilità di scintille;
- Nessun componente elettrico o cablaggio è esposto durante il caricamento, il recupero o lo spurgo dell'impianto del gas refrigerante;
- C'è continuità di messa a terra.

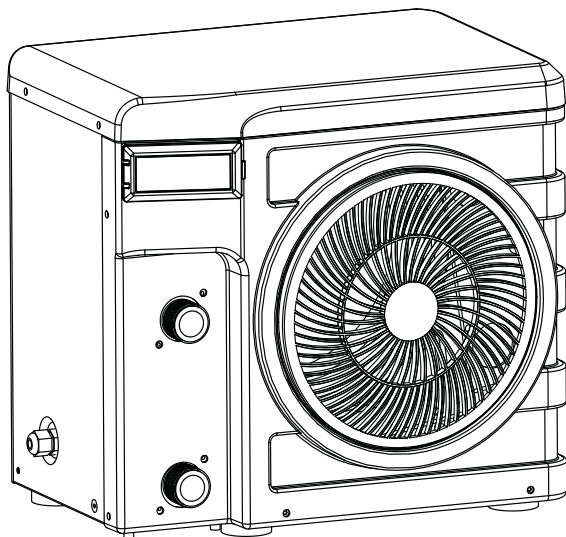
# Ringraziamenti

*Gentile cliente,*

*La ringraziamo per il Suo acquisto e per la Sua fiducia nei nostri prodotti.*

*Essi sono il risultato di anni di ricerche nella progettazione e produzione di pompe di calore per piscine. Il nostro scopo è di fornirLe un prodotto di qualità con prestazioni fuori dal comune.*

*Abbiamo preparato questo manuale con la massima cura affinché Lei possa sfruttare al meglio la Sua pompa di calore Poolex.*





# LEGGERE ATTENTAMENTE



**Le presenti istruzioni per l'installazione sono parte integrante del prodotto.  
L'utente deve fornirle all'installatore e conservarle.**

**In caso di perdita del manuale, consultare il sito:**

**[www.poolex.fr](http://www.poolex.fr)**

Le indicazioni e avvertenze contenute nel presente manuale vanno lette attentamente e comprese poiché forniscono importanti informazioni sulla manipolazione e sul funzionamento della pompa di calore in tutta sicurezza. **Il manuale va conservato in un luogo accessibile per facilitarne le successive consultazioni.**

**L'installazione deve essere effettuata da un professionista** conformemente alle norme vigenti e alle istruzioni del fabbricante. Un errore d'installazione può provocare lesioni fisiche a persone o animali e anche danni meccanici per i quali il fabbricante non può in nessun caso essere considerato responsabile.

**Dopo avere rimosso la pompa di calore dall'imballaggio, verificarne il contenuto per segnalare eventuali danni.**

Prima di collegare la pompa di calore, assicurarsi che le informazioni fornite dal presente manuale siano compatibili con le condizioni d'installazione effettive e non superino i limiti massimi autorizzati per questo prodotto.

**In caso di difetti e/o malfunzionamento della pompa di calore, staccarla dall'alimentazione elettrica** e non cercare di riparare il guasto.

La riparazione deve essere effettuata solo da un servizio di assistenza tecnica autorizzato, utilizzando parti di ricambio originali. Il mancato rispetto di quanto sopra può incidere negativamente sul funzionamento sicuro della pompa di calore.

Per garantire l'efficacia e il buon funzionamento della pompa di calore, è importante assicurarne la regolare manutenzione conformemente alle istruzioni fornite.

Nel caso in cui la pompa di calore venga venduta o ceduta, assicurarsi sempre che, insieme al materiale, venga trasmessa al nuovo proprietario tutta la documentazione tecnica.

Questa pompa di calore è solo adatta al riscaldamento di una piscina. Qualsiasi altro uso è considerato non idoneo, non corretto e persino pericoloso.

Tutte le responsabilità contrattuali o extracontrattuali del fabbricante / distributore saranno considerate decadute nel caso di danni provocati da errori di installazione o funzionamento o dal mancato rispetto delle istruzioni fornite nel presente manuale o delle norme d'installazione vigenti per l'attrezzatura oggetto del presente documento.

# Sommario

<b>1. Aspetti generali</b> .....	<b>4</b>
1.1 Condizioni generali di consegna.....	4
1.2 Istruzioni di sicurezza.....	4
1.3 Trattamento dell'acqua.....	5
<b>2. Descrizione</b> .....	<b>6</b>
2.1 Contenuto della confezione .....	6
2.2 Caratteristiche generali .....	6
2.3 Caratteristiche tecniche .....	7
2.4 Dimensioni dell'apparecchio.....	8
2.5 Disegno esploso.....	9
<b>3. Installazione</b> .....	<b>10</b>
3.1 Ubicazione .....	10
3.2 Schema d'installazione .....	11
3.3 Raccordo idraulico .....	11
3.4 Raccordo elettrico .....	11
<b>4. Uso</b> .....	<b>12</b>
4.1 Pannello di controllo .....	12
4.2 Modalità riscaldamento .....	13
4.3 Valori di stato e impostazioni avanzate .....	14
<b>5. Messa in servizio</b> .....	<b>16</b>
5.1 Messa in servizio .....	16
<b>6. Manutenzione e assistenza</b> .....	<b>17</b>
6.1 Manutenzione, assistenza e sbrinamento .....	17
<b>7. Riparazioni</b> .....	<b>18</b>
7.1 Guasti e anomalie .....	18
<b>8. Riciclaggio</b> .....	<b>19</b>
8.1 Riciclaggio della pompa di calore .....	19
<b>9. Garanzia</b> .....	<b>20</b>
9.1 Condizioni generali di garanzia .....	20
<b>A. Appendici</b> .....	<b>A</b>
A.1 Schemi di cablaggio .....	A

# 1. Aspetti generali

## 1.1 Condizioni generali di consegna

Tutto il materiale, anche franco trasporto e imballaggio, viaggia a rischio e pericolo del destinatario.

La persona responsabile della ricezione dell'apparecchio deve effettuare un controllo visivo per individuare eventuali danni subiti dalla pompa di calore durante il trasporto (circuito refrigerante, carrozzeria, scatola dei comandi elettrica, telaio). Se individua dei danni avvenuti durante il trasporto, tale persona deve annotarli per iscritto sulla bolla di consegna dello spedizioniere e confermarli entro 48 ore per lettera raccomandata allo spedizioniere stesso.



L'apparecchio deve sempre essere conservato e trasportato in posizione verticale su un bancale e nell'imballaggio originario. Se è conservato o trasportato in posizione orizzontale, aspettare almeno 24 ore prima di collegarlo all'alimentazione elettrica.

## 1.2 Istruzioni di sicurezza



**ATTENZIONE: Leggere attentamente le istruzioni di sicurezza prima di utilizzare l'apparecchio. Le istruzioni riportate di seguito sono essenziali per la sicurezza e, pertanto, vanno seguite rigorosamente.**

### *Durante l'installazione e la manutenzione*

L'installazione, l'accensione, la manutenzione e la riparazione possono essere effettuate solo da una persona qualificata, conformemente alle norme vigenti.

Prima di effettuare qualsiasi intervento sull'apparecchio (installazione, messa in funzione, uso, manutenzione), la persona incaricata dovrà essere a conoscenza di tutte le istruzioni contenute nel manuale d'installazione della pompa di calore e delle caratteristiche tecniche.

L'apparecchio non va installato in nessun caso vicino a una fonte di calore, a materiali combustibili o a una presa d'aria dell'edificio.

Se la pompa di calore non viene posta in un luogo ad accesso limitato, è obbligatorio installare l'apposita griglia di protezione.

Al fine di evitare gravi ustioni, non calpestare le tubazioni durante l'installazione, la riparazione e la manutenzione.

Al fine di evitare gravi ustioni, prima di effettuare qualsiasi intervento sul circuito refrigerante, spegnere la pompa di calore e attendere qualche minuto prima di collocare i sensori di temperatura o di pressione.

Durante la manutenzione della pompa di calore, controllare il livello del fluido frigorigeno.

Verificare che i pressostati di alta e bassa pressione siano connessi correttamente al circuito refrigerante e che interrompano il circuito elettrico in caso di attivazione, durante il controllo annuale di tenuta dell'apparecchio.

Verificare che non vi siano tracce di corrosione o macchie d'olio attorno ai componenti del circuito refrigerante.

# 1. Aspetti generali

## *Durante l'uso*

Al fine di evitare gravi lesioni, non toccare mai il ventilatore quando è in moto.

Tenere la pompa di calore fuori dalla portata dei bambini al fine di evitare gravi lesioni provocate dalle pale dello scambiatore di calore.

Non mettere mai in moto l'apparecchio se non c'è acqua nella piscina o se la pompa di circolazione è ferma.

Se necessario, verificare la portata dell'acqua ogni mese e pulire il filtro.

## *Durante la pulizia*

Staccare l'apparecchio dall'alimentazione elettrica.

Chiudere le valvole di ingresso e uscita dell'acqua.

Non introdurre nulla nelle prese d'entrata e uscita dell'aria o dell'acqua.

Non sciacquare l'apparecchio con getti d'acqua.

## *Durante la riparazione*

Effettuare gli interventi sul circuito refrigerante secondo le norme di sicurezza vigenti.

La brasatura deve essere effettuata da un saldatore qualificato.

In caso di sostituzione di un componente refrigerante difettoso, utilizzare solo parti certificate dal nostro centro tecnico.

In caso di sostituzione di tubazioni, per la riparazione possono essere usati solo tubi di rame conformi alla norma NF EN12735-1.

Durante le prove sotto pressione per individuare eventuali perdite:

Per evitare il rischio di incendi o esplosioni, non usare mai ossigeno o aria secca.

Utilizzare azoto secco o un misto di azoto e refrigerante.

La pressione di prova alta e bassa non deve superare i 42 bar.

## 1.3 **Trattamento dell'acqua**

Le pompe di calore per piscine Poolex possono essere usate con tutti i sistemi di trattamento dell'acqua.

Tuttavia, è assolutamente necessario che il sistema di trattamento (pompe dosatrici Cl, pH, Br e/o elettrolizzatore) sia installato dopo la pompa di calore nel circuito idraulico.

**Per evitare il deterioramento della pompa di calore, il pH dell'acqua deve essere mantenuto fra 6,9 e 8,0.**

# 2. Descrizione

## 2.1 Contenuto della confezione

- ✓ La pompa di calore Poolex Nano Action R32
- ✓ 2 raccordi idraulici ingresso/ uscita 32 / 38 mm di diametro
- ✓ Il presente manuale d'installazione e d'uso
- ✓ **4 pattini antivibrazioni**

## 2.2 Caratteristiche generali

La pompa di calore Poolex ha le seguenti caratteristiche:

- Un dispositivo con certificazione CE conforme alla direttiva europea RoHS.
- Alte prestazioni che consentono di risparmiare fino all'80% di energia rispetto a un sistema di riscaldamento classico.
- Un fluido refrigerante R32 ecologico, pulito ed efficace.
- Un compressore, di un marchio leader, affidabile e ad alte prestazioni.
- Un evaporatore largo in alluminio idrofilo per un utilizzo a basse temperature.
- Un scatola di controllo intuitivo di facile utilizzo.
- Un alloggiamento ultrasensibile, con trattamento anti-UV e di facile manutenzione.
- Studiata per essere silenziosa



## 2. Descrizione

### 2.3 Caratteristiche tecniche

		3 kW	4kW	5kW
Aria <sup>(1)</sup> 26°C Acqua <sup>(2)</sup> 26°C	Potenza termica (W)	3 010	4 200	5 010
	Consumo (W)	540	760	910
	<b>COP (Coeff. di prestazione)</b>	<b>5,61</b>	<b>5,50</b>	<b>5,50</b>
Aria <sup>(1)</sup> 15°C Acqua <sup>(2)</sup> 26°C	Potenza termica (W)	2210	3 100	4 030
	Consumo (W)	540	760	1 000
	<b>COP (Coeff. di prestazione)</b>	<b>4,09</b>	<b>4,08</b>	<b>4,03</b>
Alimentazione	220-240V ~ 50Hz			
Potenza massima (W)	930	1 200	1 500	
Corrente massima (A)	4,15	5,32	6,65	
Intervallo di temperatura di riscaldamento	15°C ~ 40°C			
Intervallo di funzionamento	8°C ~ 43°C			
Dimensioni dell'apparecchio L×L×A (mm)	385 x 400 x 280			
Peso dell'apparecchio (kg)	18	24	26	
Dimensioni della confezione L×L×A (mm)	415 x 460 x 370			
Peso della confezione (kg)	20	28	30	
Livello di pressione sonora a 10m (dBA) <sup>(3)</sup>	<32	<35	<36	
Raccordo idraulico (mm)	PVC 32 / 38mm			
Scambiatore di calore	Cisterna in PVC e serpentina in titanio			
Portata d'acqua min. (m³/ora)	1,3	2	2,5	
Tipo di compressore	Rotatif			
Refrigerante	R32			
Contenuto refrigerante (kg)	0,15	0,3	0,35	
GWP	675			
CO2 equivalent	0,10	0,203	0,337	
Indice IP di resistenza all'acqua	IPX4			
Perdita di carico (mCE)	0,8			
Volume mass. della piscina (m³) <sup>(4)</sup>	≤21	≤28	≤35	
Pannello di controllo	Schermo di controllo retroilluminato			
Modalità	Riscaldamento			

Le caratteristiche tecniche delle nostre pompe di calore sono fornite a titolo indicativo. Ci riserviamo il diritto di modificarle senza preavviso.

<sup>1</sup> Temperatura ambiente dell'aria

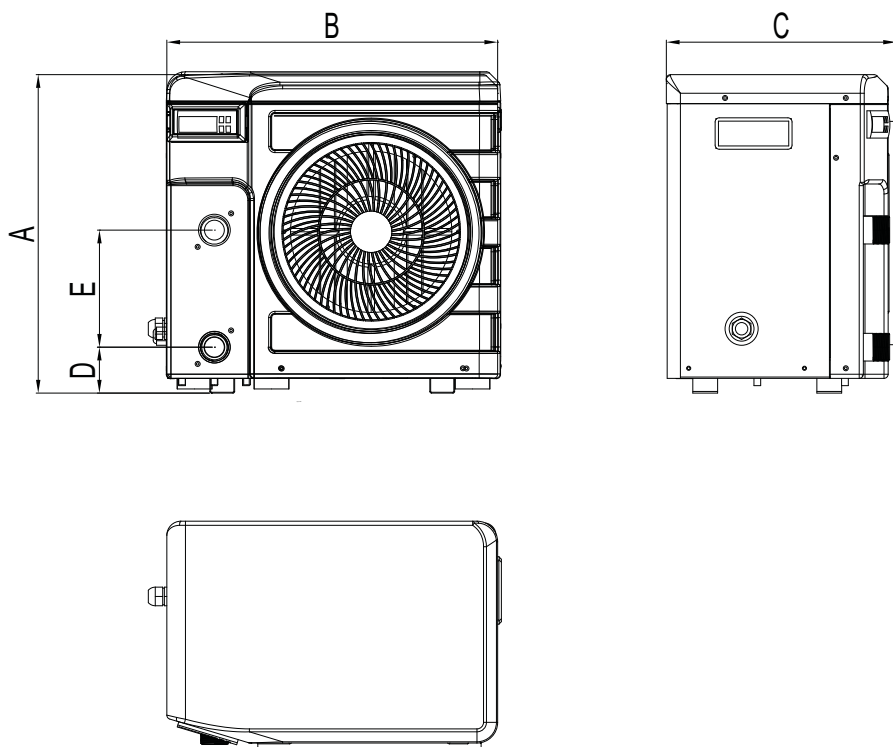
<sup>2</sup> Temperatura iniziale dell'acqua

<sup>3</sup> Rumore a 10 m secondo le Direttive EN ISO 3741 e EN ISO 354

<sup>4</sup> Calcolato per una piscina privata interrata con copertura a bolle.

## 2. Descrizione

### 2.4 Dimensioni dell'apparecchio

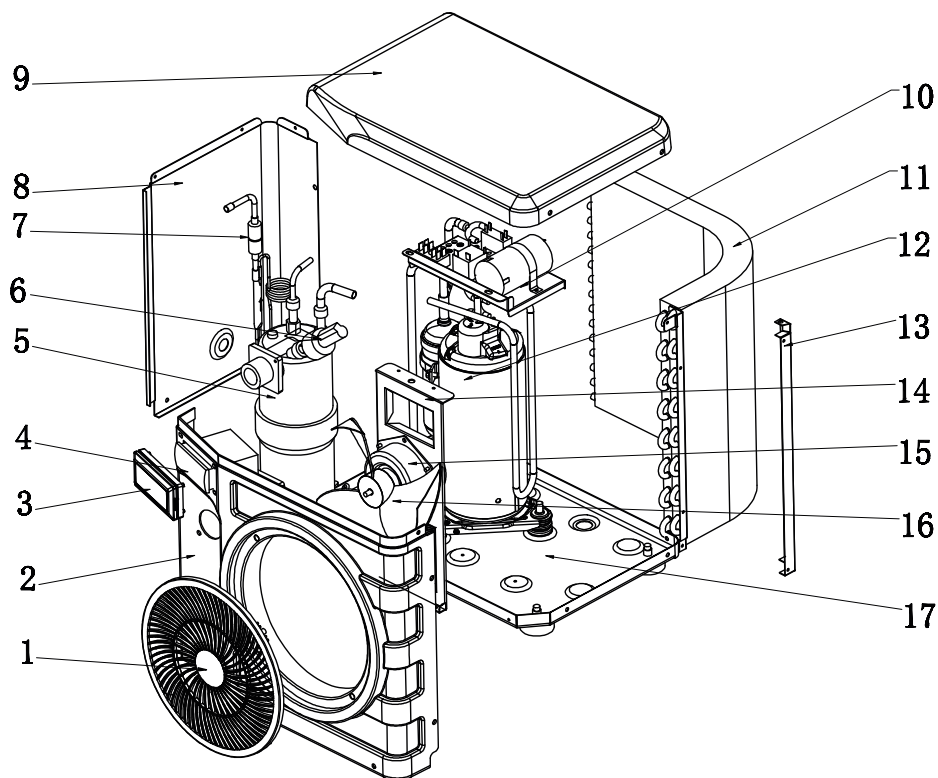


Dimensioni in mm

Nano Action 3 kW / 4 kW / 5 kW	
A	385
B	400
C	280
D	52
E	140

## 2. Descrizione

### 2.5 Disegno esploso



1. Griglia di protezione del ventilatore
2. Pannello anteriore
3. Pannello di controllo
4. Pannello di controllo
5. Scambiatore di calore
6. Sensore di flusso
7. Flussostato
8. Pannello sinistro
9. Pannello superiore

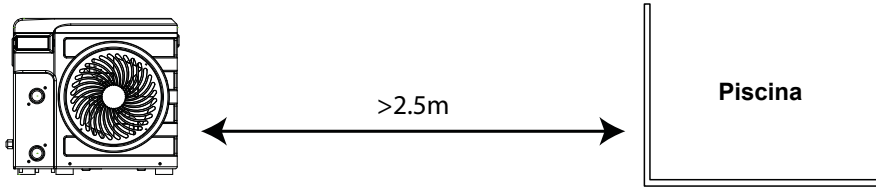
10. Centralina elettrica
11. Evaporatore
12. Compressore
13. Telaio di montaggio
14. Supporto del ventilatore
15. Motore del ventilatore
16. Pala del ventilatore
17. Telaio

# 3. Installazione

**La pompa di calore è molto facile da installare e richiede solo il collegamento al circuito idraulico e un'alimentazione elettrica**

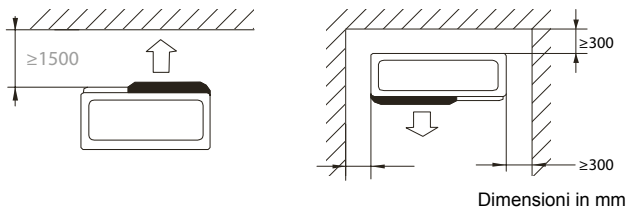
## 3.1 Ubicazione

La pompa di calore deve essere posizionata ad almeno 2,5 metri dalla piscina.



**Osservare le seguenti regole per scegliere l'ubicazione della pompa di calore**

1. Il luogo in cui verrà posto l'apparecchio deve essere facilmente accessibile per agevolare l'utilizzo e la manutenzione.
2. L'apparecchio deve essere installato al suolo e, preferibilmente, posato su una superficie piana di cemento livellata. Assicurarsi che la superficie sia sufficientemente stabile e che possa sostenere il peso dell'apparecchio.
3. Controllare che l'apparecchio sia correttamente ventilato, che la bocchetta di uscita dell'aria non sia diretta verso le finestre degli edifici limitrofi e che non sia possibile il ritorno dell'aria di scarico. Inoltre, lasciare uno spazio sufficiente intorno all'apparecchio per le operazioni di assistenza e manutenzione.
4. L'apparecchio non deve essere installato in un ambiente esposto a olio, gas infiammabili, prodotti corrosivi, composti solforosi o vicino ad apparecchi ad alta frequenza.
5. Per evitare spruzzi di fango, non installare l'apparecchio vicino a una strada o un sentiero.
6. Per evitare di disturbare i vicini, installare l'apparecchio in modo che sia orientato verso la zona meno sensibile al rumore.
7. Tenere l'apparecchio quanto più fuori possibile dalla portata dei bambini.

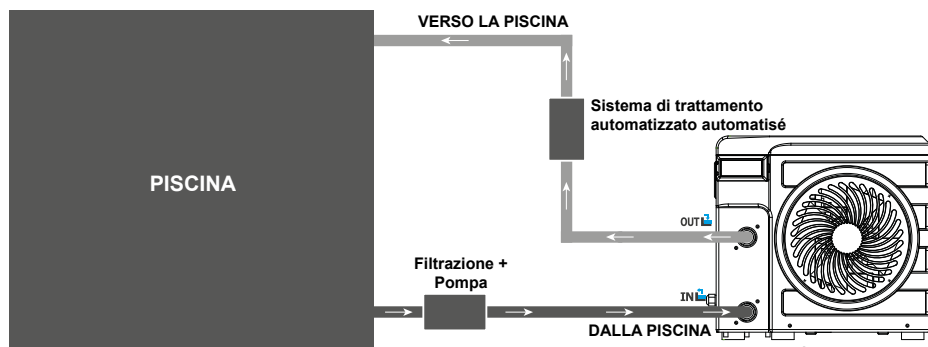


**Non collocare nulla a meno di 1,50 m di fronte alla pompa di calore.  
Lasciare uno spazio vuoto di 30 cm ai lati e dietro la pompa di calore.**

**Non lasciare nessun ostacolo sopra o di fronte all'apparecchio!**

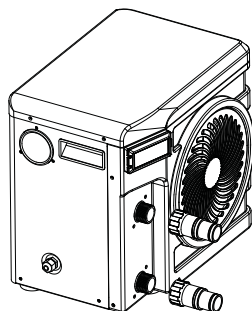
# 3. Installazione

## 3.2 Schema d'installazione



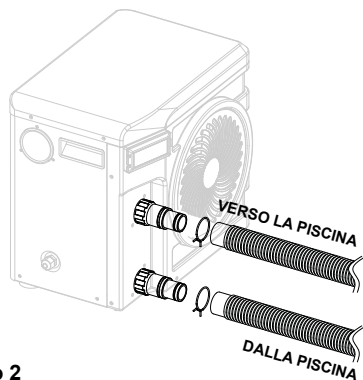
Il filtro a monte della pompa di calore deve essere pulito regolarmente affinché l'acqua del circuito sia pulita e, in tal modo, si evitino problemi di funzionamento dovuti alla sporcizia o all'intasamento del filtro.

## 3.3 Raccordo idraulico



### Passo 1

Avvitare i raccordi sulla pompa di calore



### Passo 2

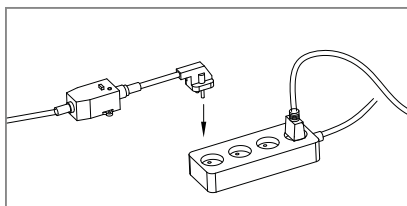
Collegare i tubi di ingresso e di uscita d'acqua

## 3.4 Raccordo elettrico

La presa elettrica della pompa di calore incorpora un interruttore differenziale da 10 mA.

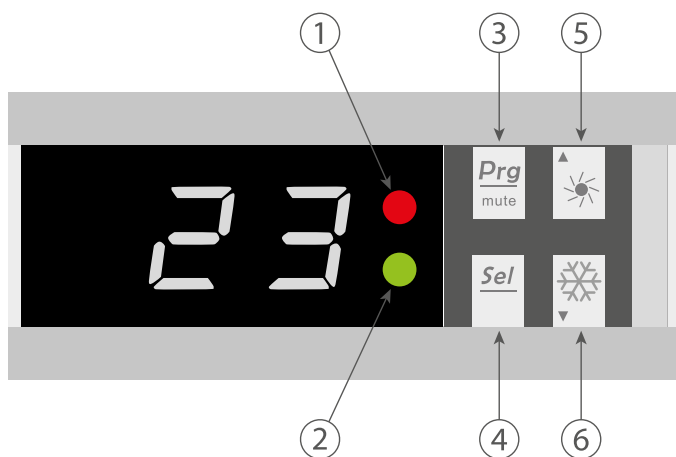
Prima di collegare la pompa di calore, assicurarsi che la presa elettrica sia correttamente messa a terra.

La pompa di filtraggio deve funzionare contemporaneamente alla pompa di calore. Pertanto, collegarli allo stesso circuito elettrico.



# 4. Uso

## 4.1 Pannello di controllo




- |                                  |              |        |
|----------------------------------|--------------|--------|
| 1. Indicador de encendido        | 3. ON/OFF    | 5. (+) |
| 2. Indicador de descongelamiento | 4. Selezione | 6. (-) |



# 4. Uso

## 4.2 Modalità riscaldamento



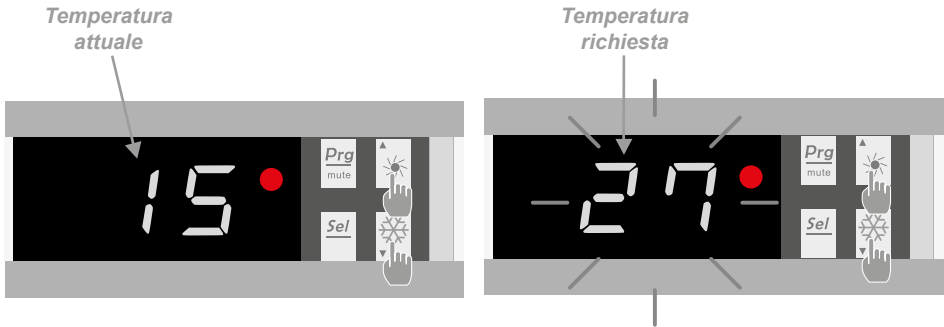
**ATTENZIONE:** Prima di iniziare, accertarsi che la pompa di filtrazione funzioni correttamente.

**Passo 1 :** Premere  per mettere in moto la pompa.

**Passo 2 :** Con i tasti  e  selezionare la temperatura desiderata.

ESEMPIO:

Se la temperatura attuale è di 15°C, il valore predefinito è di 27°C e la temperatura desiderata è di 30°C.



### Informazioni utili sul funzionamento della modalità riscaldamento


Quando la temperatura dell'acqua in ingresso è inferiore o uguale alla temperatura richiesta (temp. nominale) -X°C, la pompa di calore passa in modalità riscaldamento. Il compressore si ferma quando la temperatura dell'acqua in ingresso è superiore o uguale alla temperatura richiesta (temp. nominale).

#### Indicatori per il campo di regolazione X


X : parametro regolabile da 1° a 15°C, l'impostazione predefinita è 3°C. (Parametro N°6)

# 4. Uso

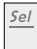
## 4.3 Valori di stato e impostazioni avanzate

 **ATTENZIONE:** Questa operazione serve a facilitare l'assistenza e le riparazioni future. Solo un professionista esperto è abilitato a modificare le impostazioni predefinite.



Le impostazioni del sistema possono essere controllate e regolate con il telecomando, seguendo questi passi


**Passo 1 :** Tenere premuto  fino ad arrivare alla modalità di verifica delle impostazioni.


**Passo 2 :** Premere  e  per vedere le impostazioni.

**Passo 3 :** Premere  per selezionare l'impostazione da modificare.

Attenzione: certe impostazioni non possono essere modificate. Per ulteriori informazioni, consultare la tabella delle impostazioni.

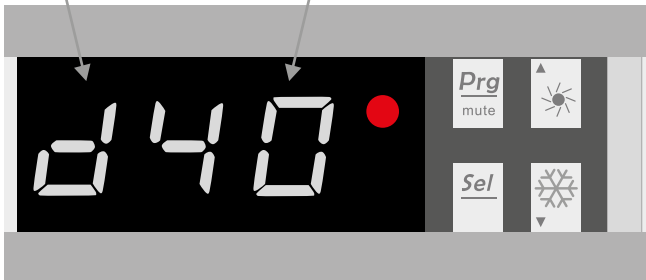
**Passo 4 :** Premere  e  per regolare il valore dell'impostazione.

**Passo 5 :** Premere  per registrare il nuovo valore.

**Passo 6 :** Premere  per tornare alla schermata principale.

Parametro d

Valore 40





# 4. Uso

**Tabella delle impostazioni**

N°	Descrizione	Campo di regolazione	Impostazione di fabbrica	Osservazioni
A	Temperatura d'ingresso dell'acqua	-19~99°C		Dati effettivi
b	Temperatura di uscita dell'acqua	-19~99°C		Dati effettivi
c	Temperatura dell'aria ambiente	-19~99°C		Dati effettivi
d	Temperatura predefinita	15~40°C	27°C	Regolabile
E	Tempo di auto-attivazione dello sbrinamento	10~80 min	40 min	Regolabile
F	Durata massima dello sbrinamento	10~40 min	30 min	Regolabile
H	Regolazione della differenza di temperatura per il riavvio	1~10°C	3°C	Regolabile
J	Riavvio automatico	0 = OFF 1 = ON	1	Regolabile
O	Protezione antigelo - bassa temperatura dell'aria	0~15°C	8°C	Regolabile
P	Temperatura dell'evaporatore per l'attivazione dello sbrinamento	-19°C~0°C	-3°C	Regolabile
U	Temperatura evaporatore per arresto sbrinamento	1~30°C	20°C	Regolabile
t	Riservato: non modificare			Reserved

# 5. Messa in servizio

## 5.1 Messa in servizio

### Condizioni d'uso


**Affinché la pompa di calore funzioni normalmente, la temperatura ambiente dell'aria deve essere compresa tra 8°C e 43°C.**

### Raccomandazioni preliminari

Prima della messa in servizio della pompa di calore:

- ✓ Accertarsi che l'apparecchio sia stabile.
- ✓ Verificare il corretto funzionamento della sua installazione elettrica.
- ✓ Accertarsi che i raccordi idraulici siano ben stretti e che non vi siano perdite d'acqua.
- ✓ Rimuovere qualsiasi oggetto inutile o attrezzo dall'area circostante l'apparecchio.

### Messa in servizio

1. Collegare la presa elettrica dell'apparecchio.
2. Attivare la pompa di filtrazione.
3. Attivare la protezione dell'alimentazione elettrica dell'apparecchio (interruttore differenziale situato sul cavo di alimentazione).
4. Attivare la pompa di calore premendo una volta .
5. Selezionare la temperatura desiderata.
6. Il compressore della pompa di calore si attiva dopo qualche istante.

Ora basta aspettare che venga raggiunta la temperatura desiderata.



**ATTENZIONE:** In condizioni normali, una pompa di calore adeguata scalda l'acqua della vasca di 1°C fino 2°C al giorno. È, quindi, del tutto normale non avvertire una differenza di temperatura nel sistema quando la pompa di calore è in moto.

**Una piscina riscaldata deve essere coperta per evitare dispersioni di calore.**

# 6. Manutenzione e assistenza

## 6.1 Manutenzione, assistenza e sbrinamento



**ATTENZIONE: Prima di effettuare la manutenzione sull'apparecchio, accertarsi di averlo staccato dall'alimentazione elettrica.**

### **Pulizia**

L'alloggiamento della pompa di calore deve essere pulito con un panno umido. L'uso di detergenti e altri prodotti domestici potrebbe danneggiare la superficie dell'alloggiamento e alterarne le proprietà.

L'evaporatore nella parte posteriore della pompa di calore deve essere pulito con attenzione con un'aspirapolvere a spazzole morbide.

### **Manutenzione annuale**

Le seguenti operazioni vanno eseguite da una persona qualificata almeno una volta all'anno.

- ✓ Effettuare i controlli di sicurezza
- ✓ Controllare che i cavi elettrici siano intatti.
- ✓ Controllare il collegamento della messa a terra.
- ✓ Controllare lo stato del manometro e la presenza del fluido frigorigeno

### **Sbrinamento**

Vostra pompa di calore è progettata per funzionare in tutte le condizioni atmosferiche. Tuttavia, non è consigliato lasciarla fuori per lunghi periodi di tempo (ad esempio durante l'inverno). Dopo aver svuotato la piscina per l'inverno, smontare la pompa di calore e sistemarla in un luogo pulito e asciutto.

# 7. Riparazioni



**ATTENZIONE:** In condizioni normali, una pompa di calore adeguata scalda l'acqua della vasca di 1°C fino 2°C al giorno. È, quindi, del tutto normale non avvertire una differenza di temperatura nel sistema quando la pompa di calore è in moto.  
Una piscina riscaldata deve essere coperta per evitare dispersioni di calore.

## 7.1 Guasti e anomalie

In caso di problemi, la schermata della pompa di calore visualizza un codice di errore invece delle indicazioni di temperatura. Consultare la tabella disotto per trovare le possibili cause di un'anomalia e i relativi interventi.

Codice	Errore	Possibili cause	Intervento
P1	Malfunzionamento del sensore della temperatura dell'acqua in ingresso	Il sensore è collegato male	Ricollegare il sensore
		Il sensore è difettoso	Sostituire il sensore
		La scatola di controllo è difettosa	Sostituire la scatola di controllo
P3	Malfunzionamento del sensore di temperatura dell'evaporatore	Stesse cause di P1	Stessi interventi di P1
P5	Malfunzionamento del sensore della temperatura esterna		
P7	Protezione antigelo	La protezione si attiva quando la temperatura ambiente è troppo bassa	Non è necessario alcun intervento
E3	Malfunzionamento del sensore di portata	Quantità d'acqua insufficiente nello scambiatore di calore	Controllare il funzionamento del circuito d'acqua
		Sensore della portata d'acqua difettoso	Sostituire il contattore della portata d'acqua
		La scatola di controllo è difettosa	Sostituire la scatola di controllo
	La pompa di calore non funziona	Quantità d'acqua insufficiente nello scambiatore di calore	Controllare il funzionamento del circuito d'acqua
		La scatola di controllo è difettosa	Sostituire la scatola di controllo

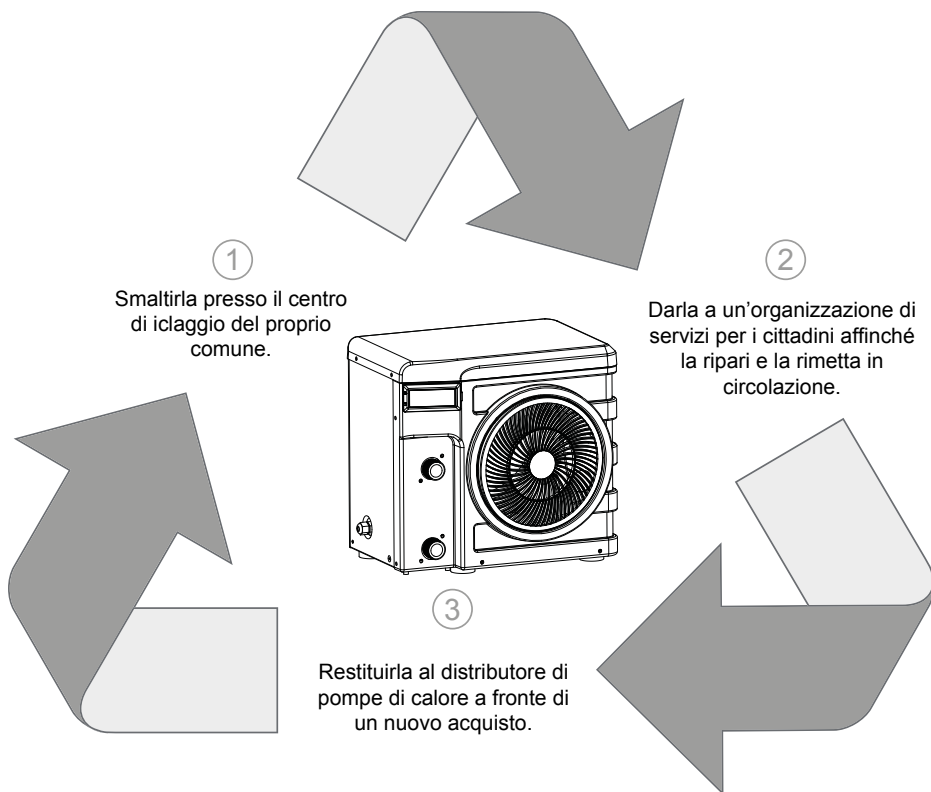
# 8. Riciclaggio

## 8.1 Riciclaggio della pompa di calore

L'apparecchio è a fine vita e si desidera gettarlo o sostituirlo. Non gettarlo nel cestino della spazzatura.

Una pompa di calore deve essere smaltita a parte per essere eventualmente riutilizzata, riciclata o adeguata. Contiene sostanze potenzialmente nocive per l'ambiente ma che vengono eliminate o neutralizzate dal riciclaggio.

**VI SONO TRE SOLUZIONI:**



# 9. Garanzia

## 9.1 Condizioni generali di garanzia

La società Poolstar fornisce al proprietario originario una garanzia di due (2) anni contro i difetti nei materiali e di fabbricazione della pompa di calore Poolex Nano R32.

Il compressore ha una garanzia di cinque (5) anni.

Lo scambiatore di calore con tubi in titanio ha una garanzia di quindici (15) anni contro la corrosione chimica, salvo in caso di danni dovuti al gelo.

Gli altri componenti del condensatore sono garantiti per due (2) anni.

La garanzia entra in vigore alla data della prima fattura.

La garanzia non si applica nei casi seguenti:

- Malfunzionamento o danno derivante da un'installazione, da un utilizzo o da una riparazione non conforme alle istruzioni di sicurezza.
- Malfunzionamento o danni dovuti ad agenti chimici non idonei per la piscina.
- Malfunzionamento o danni dovuti a condizioni non idonee all'uso dell'apparecchio.
- Danni dovuti a negligenza, a un incidente o a cause di forza maggiore.
- Malfunzionamento o danno derivante dall'uso di accessori non autorizzati.

Le riparazioni nel periodo di garanzia devono essere approvate prima di essere effettuate e affidate a un tecnico autorizzato. La garanzia decade se l'apparecchio viene riparato da una persona non autorizzata dalla società Poolstar.

Le parti in garanzia saranno sostituite o riparate a discrezione di Poolstar. Le parti difettose devono essere rese ai nostri laboratori durante il periodo di garanzia per essere prese in consegna. La garanzia non copre le spese di manodopera o sostituzione non autorizzate. La resa delle parti difettose non è coperta dalla garanzia.

Gentile Signora/ Gentile Signore,

**Una domanda? Un problema? O semplicemente registra il tuo garanzia, trovaci sul nostro sito:**

**<http://support.poolex.it/>**

La ringraziamo della Sua fiducia  
e Le auguriamo un buon bagno.

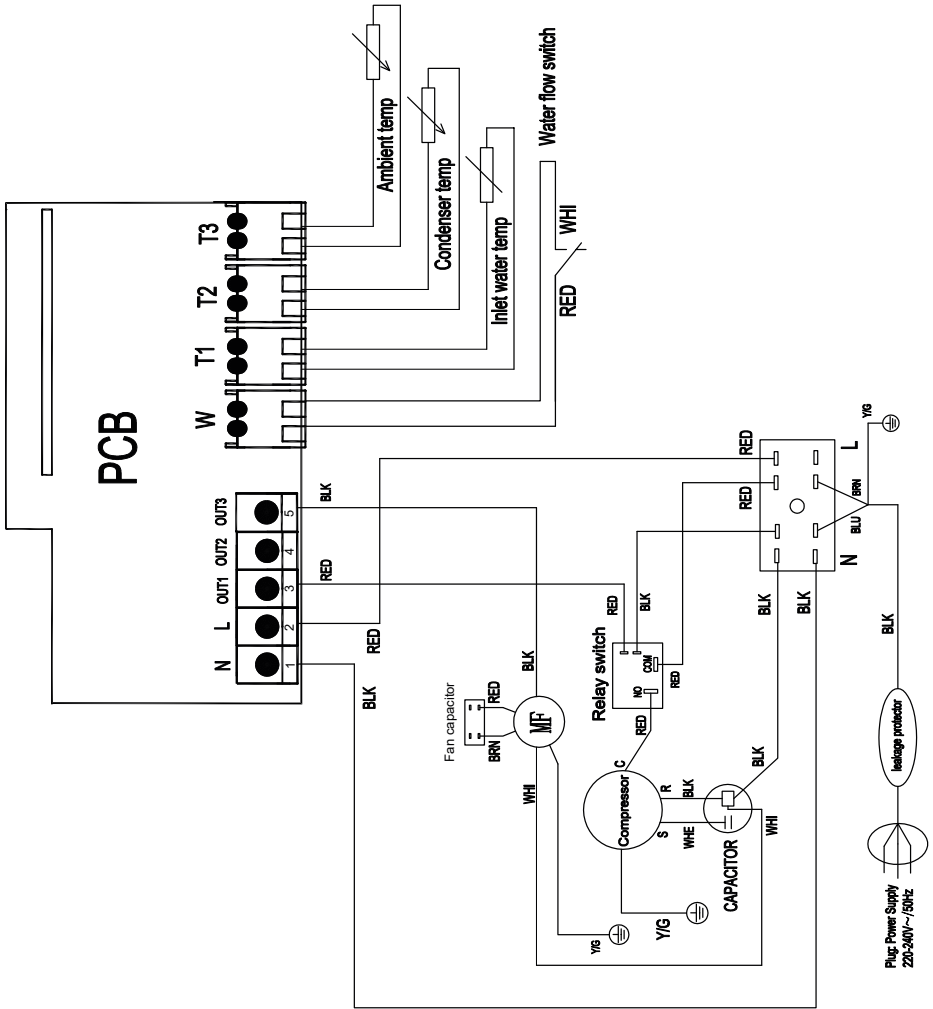
I Suoi dati potrebbero essere trattati conformemente alla legge Informatique et Liberté (normativa francese in materia di tutela della privacy) del 6 gennaio 1978 e non saranno divulgati a terzi.

### ATTENZIONE:

**La garanzia contrattuale potrà essere convalidata presso l'installatore o Poolstar solo se il prodotto è stato registrato nel nostro sito Internet.**

# A. Annexes / Apéndices / Appendici

## A.1 Schémas de câblage de la carte électronique / Diagramas de cableado / Schemi di cablaggio



IT

# **POOLEX**



ASSISTANCE TECHNIQUE  
SERVICIO TÉCNICO  
ASSISTENZA TECNICA

**[www.poolex.fr](http://www.poolex.fr)**